

# Mogul Conduit Bodies

## For Rigid Conduit & IMC

### Types C8X, T8X, LB6X, UB6X, LL6X, LR6X

#### Use:

To provide access to large and heavy conductors for pulling, splicing, maintenance and future changes / upgrades. Allows connection of straight conduit runs, branch conduit runs and 90° bends.

#### Features:

- Meets NEC section 314.28 rule for 6X or 8X the conduit trade size between hubs.
- Supplied with built-in cable-pulling rollers on 1-1/4" and larger LB, C and UB series.
- Supplied completely assembled with cover, gasket and captive stainless steel screws.
- Raintight - suitable for use in wet locations.
- Suitable for use in Class I, Div.2 hazardous locations per NEC section 501.4(B).
- Threaded NPT tapered hubs for rigid conduit and IMC.
- Smooth integral hub bushings protect conductor insulation.
- Replacement covers and gaskets available, see page AD2.



#### Material/Finish:

Malleable Iron: Zinc Electroplated, Dichromate, Epoxy Powder Coat.  
Copper-free Aluminum: Epoxy Powder Coat.  
Gaskets: Neoprene  
Cover Screws: Stainless Steel

#### Optional Finish:

For additional corrosion protection, specify Hot Dip Galvanized: add suffix "G" to Malleable Iron Catalog Number.  
Example - C8X100MG. Contact your local representative for price and availability.

#### Third Party Certification:

-  UL Listed: E-18095  
Raintight-Suitable for wet locations.
-  CSA Certified: 009795  
Raintight-Suitable for wet locations.

#### Applicable Third Party Standards:

UL Standard: 514A  
CSA Standard: C22.2 No. 18  
Fed Spec: A-A-50563  
NEMA: FB-1, FB-2.10

#### Dimensional Data:

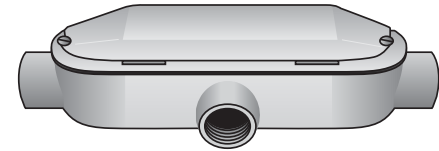
See Page AD3 and AD4

Trade Size (inches)	Catalog Number Malleable Iron	Catalog Number Aluminum
1	C8X-100M	C8X-100MA
1¼*	C8X-125M	C8X-125MA
1½*	C8X-150M	C8X-150MA
2*	C8X-200M	C8X-200MA
2½*	C8X-250M	C8X-250MA
3*	C8X-300M	C8X-300MA
3½*	C8X-350M	C8X-350MA
4*	C8X-400M	C8X-400MA
1	T8X-100M	T8X-100MA
1¼	T8X-125M	T8X-125MA
1½	T8X-150M	T8X-150MA
2	T8X-200M	T8X-200MA
2½	T8X-250M	T8X-250MA
3	T8X-300M	T8X-300MA
3½	T8X-350M	T8X-350MA
4	T8X-400M	T8X-400MA
1	LB6X-100M	LB6X-100MA
1¼*	LB6X-125M	LB6X-125MA
1½*	LB6X-150M	LB6X-150MA
2*	LB6X-200M	LB6X-200MA
2½*	LB6X-250M	LB6X-250MA
3*	LB6X-300M	LB6X-300MA
3½*	LB6X-350M	LB6X-350MA
4*	LB6X-400M	LB6X-400MA
1	UB6X-100M	UB6X-100MA
1¼*	UB6X-125M	UB6X-125MA
1½*	UB6X-150M	UB6X-150MA
2*	UB6X-200M	UB6X-200MA
2½*	UB6X-250M	UB6X-250MA
3*	UB6X-300M	UB6X-300MA
3½*	UB6X-350M	UB6X-350MA
4*	UB6X-400M	UB6X-400MA
1	LL6X-100M	LL6X-100MA
1¼	LL6X-125M	LL6X-125MA
1½	LL6X-150M	LL6X-150MA
2	LL6X-200M	LL6X-200MA
1	LR6X-100M	LR6X-100MA
1¼	LR6X-125M	LR6X-125MA
1½	LR6X-150M	LR6X-150MA
2	LR6X-200M	LR6X-200MA

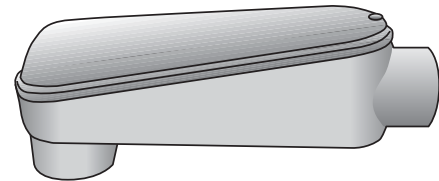
\* Furnished with rollers for easier cable pulling.



Type C8X



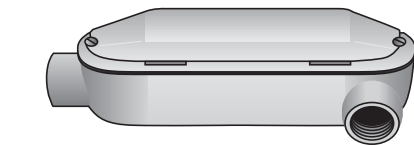
Type T8X



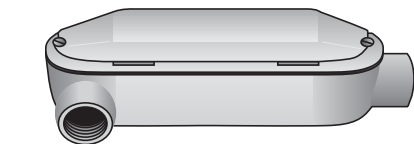
Type LB6X



Type UB6X



Type LL6X



Type LR6X



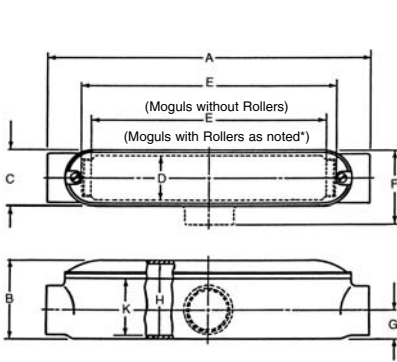
Rollers make cable-pulling easier, eliminate insulation damage.

# Mogul Conduit Bodies

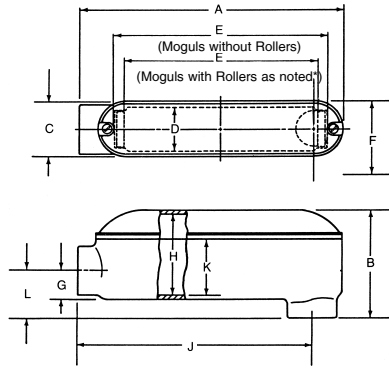
For Rigid Conduit & IMC

**Dimensional Data:**

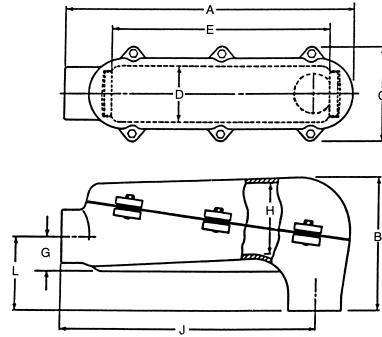
**Mogul Types C, T, and LB**



**Types C & T**



**Type LB (1" to 2")**



**Type LB (2 1/2" thru 4")**

**Dimensions in Inches**

Type Mogul	Hub Trade Size (In.)	Cubic Inch Capacity	A	B	C	D	E	F	G	H	J	K	L
<b>C</b>	1	31	9.81	2.75	2.38	1.88	6.63		.94	2.44		1.88	
	1 1/4*	50	12.00	3.31	2.38	1.88	7.69		1.16	3.00		2.19	
	1 1/2*	93	13.94	3.75	3.13	2.50	9.31		1.38	3.38		2.56	
	2*	143	17.94	4.44	3.13	2.50	13.00		1.63	4.00		3.18	
	2 1/2*	335	23.25	5.13	4.63	3.75	17.50		1.81	4.63		3.63	
	3*	475	26.88	5.94	4.63	3.63	21.00		2.16	5.44		4.38	
	3 1/2*	830	31.38	7.19	5.63	4.50	24.94		2.50	6.69		4.88	
	4*	1010	35.38	7.56	5.63	4.50	28.94		2.75	7.06		5.25	
<b>T</b>	1	31	9.81	2.75	2.38	1.88	6.63	3.25	.94	2.44		1.88	
	1 1/4	50	12.00	3.31	2.38	1.88	8.56	3.38	1.16	3.00		2.19	
	1 1/2	93	13.94	3.75	3.13	2.50	10.38	4.13	1.38	3.38		2.56	
	2	143	17.94	4.44	3.13	2.50	14.13	4.13	1.63	4.00		3.18	
	2 1/2	335	23.25	5.13	4.63	3.75	18.69	6.00	1.81	4.63		3.63	
	3	475	26.88	5.94	4.63	3.63	22.19	6.00	2.16	5.44		4.38	
	3 1/2	830	31.38	7.19	5.63	4.50	26.19	7.25	2.50	6.69		4.88	
	4	1010	35.38	7.56	5.63	4.50	30.19	7.25	2.75	7.06		5.25	
<b>LB</b>	1	31	8.94	3.63	2.38	1.88	6.63		.94	2.44	7.88	1.88	1.88
	1 1/4*	48	9.69	4.75	2.38	1.88	6.31		1.16	3.44	8.50	2.63	2.16
	1 1/2*	107	13.00	5.25	3.13	2.50	9.31		1.38	3.94	11.63	3.06	2.38
	2*	145	14.63	6.31	3.13	2.50	10.75		1.63	4.88	12.94	3.44	2.69
	2 1/2*	210	17.88	8.00	5.88	3.50	13.75		2.13	4.13	15.81		4.56
	3*	345	21.06	10.00	5.88	3.50	17.00		2.50	5.13	18.50		5.38
	3 1/2*	500	24.31	10.25	7.00	4.63	19.88		3.00	4.75	21.38		6.63
	4*	740	27.50	12.50	7.00	4.63	23.00		3.25	6.38	24.38		7.00

\* Furnished with rollers for easier cable pulling.