

Industrial Mercmaster™ LED Low Profile Luminaires For Ordinary Locations

NEC/CEC:
cULus Listed
Type 3R, 4, 4X
IP66
Suitable for Use in Wet Locations
Marine Outside Type (Salt Water) For USA ONLY

Applications

- Ordinary location fixtures suitable for use in:
 - Heavy industrial locations where severe weather conditions, excessive moisture, dirt, dust, corrosive atmospheres, or high ambient temperatures are encountered.
 - Marine and wet locations
 - Areas of low clearance, low ceiling heights or where fixture weights must be minimized
- Typical applications include:
 - Manufacturing plants
 - Storage area/warehouse
 - Platforms
 - Loading docks
 - Food processing
 - Parking garages

Features

- Compact light weight low profile design is suited for low mounting heights.
- Six standard mounting hood designs allow for mounting in any location. Uses same mounting hoods as Mercmaster III.
- Customize to the application requirements with four different globe options: clear and diffused polycarbonate, clear glass, or prismatic glass refractor.
- Three light output levels for retrofit of HID fixtures up to 150 W.
- Hinge has high lip for added safety during installation and servicing. Hinge and bolt construction assures 360° compression at all points on fixture housing gasket for positive sealing. Swing away design of captive bolt and nut simplifies servicing.
- Ambient Temperature: BU: -40 °C to +55 °C (-40 °F to +131 °F)
BH: -30 °C up to +55 °C (-22 °F up to +131 °F)
- Standard NPT threads.
- Lamp life rated at 60,000 Hours.

Options

- Glass globe guard is stainless steel wire. Glass refractor guard is die cast aluminum with gray epoxy powder coating.
- All Mercmaster mounting hoods have provision for fusing; add suffix **-F** at the end of the catalog number.
- Photocontrols are available with all except ceiling and pendant cone mounting hoods, and are configured to your operating voltage. ①

Standard Materials

- Mounting hoods and bodies: cast copperfree (4/10 of 1% max.) aluminum
- All hardware and catch assemblies: stainless steel
- Globe: polycarbonate or glass
- Refractor: heat-resistant prismatic glass
- Glass globe guard: stainless steel wire
- Refractor guard: die cast aluminum
- Reflectors: fiberglass reinforced white polyester



Standard Finishes

- Mounting hoods, bodies and glass refractor guard: baked gray epoxy powder coat finish, electrostatically applied for complete uniform protection

NEC/CEC Certifications and Compliances

- UL Standard: UL 50/50E, UL 1598, UL 1598A, UL 8750
- CSA Standard: C22.2 No. 0; C22.2 No. 94.1/94.2; C22.2 No. 60529; C22.2 No. 250.0
- ANSI/IEC Standard: 60529
- cULus Listed: E279986
- DLC Qualified Products Listed

Related Products

- Photocells are available, see *PC Series*.
 - Mounting hoods with photocontrols are not rated IP66, Type 4X or Marine Outside Type (Salt Water)

① Available for 120-277 Vac models only.

Industrial Mercmaster™ LED Low Profile Luminaires

For Ordinary Locations

NEC/CEC:
cULus Listed
Type 3R, 4, 4X
IP66
Suitable for Use in Wet Locations
Marine Outside Type (Salt Water) for USA ONLY

Illustrated Features

Heatsink

Reliable heat transfer via the cast, epoxy powder coat aluminum body. Provides maximum heat dissipation from the LED assembly to the outside environment.



Vented Reflectors

Reflectors are thick, tough fiberglass reinforced white polyester. Quickly attach with furnished stainless steel screws.



LED Chamber

Protected by polycarbonate or glass globe, allows for easy maintenance access.



Fuses (optional)

Two screws secure fuse kit to mounting boss in any Mercmaster mounting hood. Fuse included. ① Use of fuse voids Marine Outside type (salt water) rating.

Photocell (optional)

Available for all fixtures ② except cone and ceiling mount. Provides continuous ON-OFF dusk-to-dawn control. *Note: Fixtures with photocontrols are not rated IP66, Type 4X, Marine Outside Type (Salt Water), or Class II.*

Prismatic Refractors

Heat-resistant refractor threads directly into fixture housing and seal against a high-temperature silicone rubber gasket.



Epoxy Finish

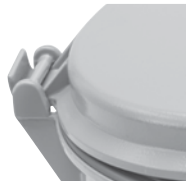
Fixture housing, hoods and guards are copperfree aluminum with epoxy powder coat finish.

Electrical Protection

Ground wire provided to bond mounting hood to fixture housing.

"Safety" High Hinge

Extra-high hinge provides additional protection against accidental fixture housing disengagement during installation or maintenance.



Cooler Operating Cone Hood

Larger sloped surface sheds dusts and dirt providing better heat dissipation.

Mounting Hood and Globe Gaskets

Silicone rubber gaskets seal out moisture, dirt and dust. Stays flexible, withstands high temperatures. Closure design assures uniform gasket compression.

Stainless Steel Latch Assembly

Captive, stainless steel latch assembly bolt and nut closes securely, resists attack of corrosive atmospheres. Swing-away design simplifies servicing.



① Factory installed.

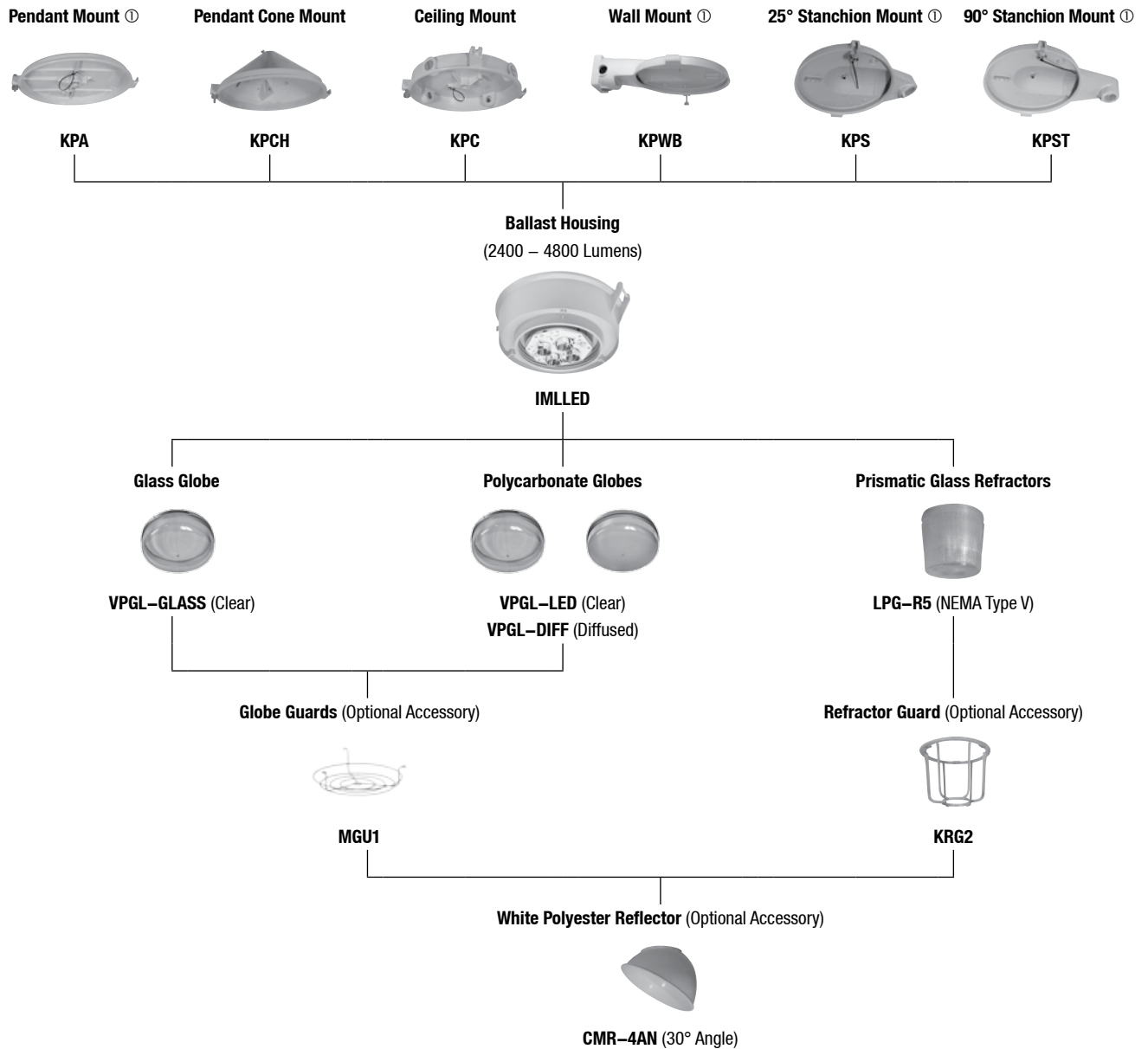
② For 120-277 Vac models.

Industrial Mercmaster™ LED Low Profile Luminaires

For Ordinary Locations

NEC/CEC:
 cULus Listed
 Type 3R, 4, 4X
 IP66
 Suitable for Use in Wet Locations
 Marine Outside Type (Salt Water) for USA ONLY

Industrial Mercmaster LED Low Profile Family Tree



① Mounting hood with a 120 V or 208-277 V factory installed photocell is available.

Industrial Mercmaster™ LED Low Profile Luminaires

For Ordinary Locations

NEC/CEC:

cULus Listed
Type 3R, 4, 4X
IP66

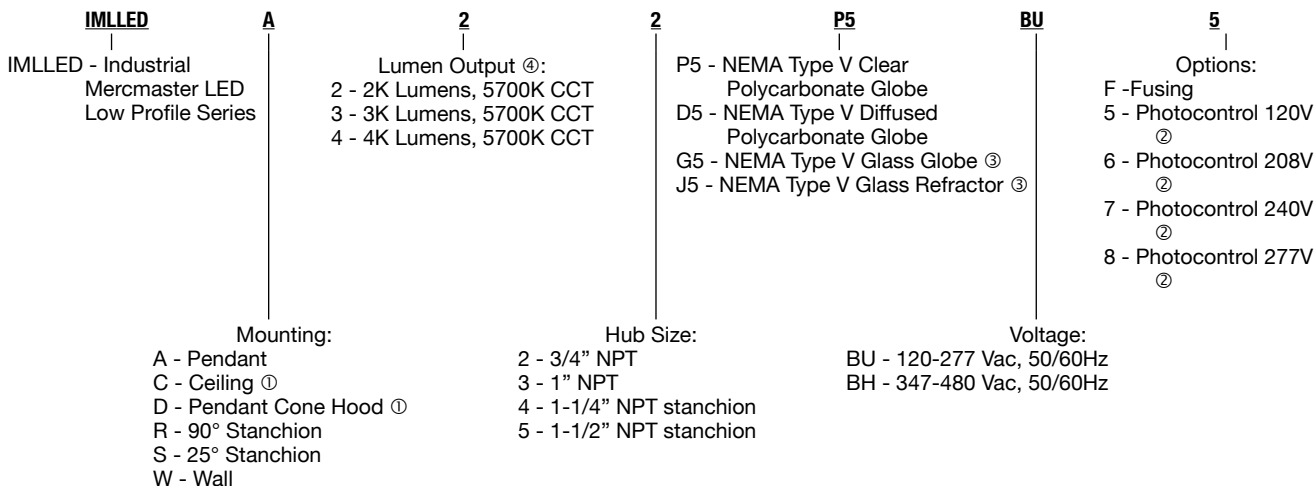
Suitable for Use in Wet Locations

Marine Outside Type (Salt Water) for USA ONLY

Order using catalog numbering guides below or select catalog number from tables on following pages.

Catalog Numbering Guide

For Ordinary Locations:



Electrical Specification

Model	Line Current Amps (50/60Hz)	Input Power	Power Factor	THD	Lumens ⑤			CRI	Color Temp CCT	Equivalent HID Luminaire	
					Polycarbonate Clear Globe	Polycarbonate Diffused Globe	Glass Clear Globe				
NEMA Type V											
IMLLED2	.21 @120V	26	> .97	< 20%	2400	2300	2500	2200	>70	5700K	70 W
	.10 @277V	26									
	.07 @347V	26	> .97	< 20%	2300	2200	2400	2100	>70	5700K	70 W
	.05 @480V	26									
IMLLED3	.29 @120V	35	> .88	< 20%	3400	3300	3600	3100	>70	5700K	100 W
	.13 @277V	35									
	.10 @347V	35	> .90	< 20%	3500	3300	3600	3100	>70	5700K	100 W
	.07 @480V	35									
IMLLED4	.41 @120V	48	> .90	< 20%	4800	4600	5000	4300	>70	5700K	150 W
	.20 @277V	48									
	.13 @347V	48	> .83	< 20%	4800	4600	5000	4500	>70	5700K	150 W
	.10 @480V	48									

Surge protection common/differential mode:

1000kHz Ring Wave (w/t 30ohm)

BU:6kv

BH: 2.5kv

1.2/50 μs combination wave (w/t 2 Ω)

	BU	BH
IMLLED2	4kv	3kv
IMLLED3	4kv	3kv
IMLLED4	3kv	3kv

① Ceiling and pendant cone hood mounted luminaires are not designed to use the PC photocontrol. Ceiling mounts must use an FS/FD box with a photocontrol. Contact your local sales representative for more information.

② Luminaires with photocontrol are not rated IP66 or Marine Outside Type (Salt Water). Photocontrol available for 120-277 Vac only.




③ Guards for the glass refractors and globes are ordered separately. See the list of accessories for more information.

④ For specific lumen output information, see Lamp Comparison Chart.

⑤ All lumen values are typical (+/- 10%)

Industrial Mercmaster™ LED Low Profile Luminaires For Ordinary Locations

NEC/CEC:
cULus Listed
Type 3R, 4, 4X
IP66
Suitable for Use in Wet Locations
Marine Outside Type (Salt Water) for USA ONLY

	Hub Size	Lumen Level	With Type V Polycarbonate Globe ①②	With Type V Polycarbonate Diffused Globe ①②	Glass Globe ①②③	With Type V Glass Refractor ①②③
Pendant — One Hub						
	3/4	2K	IMLLEDA22P5	IMLLEDA22D5	IMLLEDA22G5	IMLLEDA22J5
	3/4	3K	IMLLEDA32P5	IMLLEDA32D5	IMLLEDA32G5	IMLLEDA32J5
	3/4	4K	IMLLEDA42P5	IMLLEDA42D5	IMLLEDA42G5	IMLLEDA42J5
	1	2K	IMLLEDA23P5	IMLLEDA23D5	IMLLEDA23G5	IMLLEDA23J5
	1	3K	IMLLEDA33P5	IMLLEDA33D5	IMLLEDA33G5	IMLLEDA33J5
	1	4K	IMLLEDA43P5	IMLLEDA43D5	IMLLEDA43G5	IMLLEDA43J5
Ceiling — Five Hubs, Four Close-up Plugs						
	3/4	2K	IMLLEDC22P5	IMLLEDC22D5	IMLLEDC22G5	IMLLEDC22J5
	3/4	3K	IMLLEDC32P5	IMLLEDC32D5	IMLLEDC32G5	IMLLEDC32J5
	3/4	4K	IMLLEDC42P5	IMLLEDC42D5	IMLLEDC42G5	IMLLEDC42J5
	1	2K	IMLLEDC23P5	IMLLEDC23D5	IMLLEDC23G5	IMLLEDC23J5
	1	3K	IMLLEDC33P5	IMLLEDC33D5	IMLLEDC33G5	IMLLEDC33J5
	1	4K	IMLLEDC43P5	IMLLEDC43D5	IMLLEDC43G5	IMLLEDC43J5
Pendant Cone — One Hub, Rigid Mounting						
	3/4	2K	IMLLEDD22P5	IMLLEDD22D5	IMLLEDD22G5	IMLLEDD22J5
	3/4	3K	IMLLEDD32P5	IMLLEDD32D5	IMLLEDD32G5	IMLLEDD32J5
	3/4	4K	IMLLEDD42P5	IMLLEDD42D5	IMLLEDD42G5	IMLLEDD42J5
	1	2K	IMLLEDD23P5	IMLLEDD23D5	IMLLEDD23G5	IMLLEDD23J5
	1	3K	IMLLEDD33P5	IMLLEDD33D5	IMLLEDD33G5	IMLLEDD33J5
	1	4K	IMLLEDD43P5	IMLLEDD43D5	IMLLEDD43G5	IMLLEDD43J5

① For optional fusing, add suffix **-F** to the end of the catalog number.
 ② For 120-277 Vac, use suffix **-BU**. For 347-480 Vac, use suffix **-BH**.
 ③ Guards for the glass refractors and globes are ordered separately. See following pages for accessory ordering information.

Industrial Mercmaster™ LED Low Profile Luminaires

For Ordinary Locations

NEC/CEC:
 cULus Listed
 Type 3R, 4, 4X
 IP66
 Suitable for Use in Wet Locations
 Marine Outside Type (Salt Water) for USA ONLY

Appleton®

LED/AREA: NEC/CEC ORDINARY LOCATION

	Hub Size	Lumen Level	With Type V Polycarbonate Globe ①②	With Type V Polycarbonate Diffused Globe ①②	Glass Globe ①②③	With Type V Glass Refractor ①②③
--	----------	-------------	------------------------------------	---	-----------------	---------------------------------

90° Stanchion — One hub



1 - 1/4	2K	IMLLEDR24P5	IMLLEDR24D5	IMLLEDR24G5	IMLLEDR24J5
1 - 1/4	3K	IMLLEDR34P5	IMLLEDR34D5	IMLLEDR34G5	IMLLEDR34J5
1 - 1/4	4K	IMLLEDR44P5	IMLLEDR44D5	IMLLEDR44G5	IMLLEDR44J5
1 - 1/2	2K	IMLLEDR25P5	IMLLEDR25D5	IMLLEDR25G5	IMLLEDR25J5
1 - 1/2	3K	IMLLEDR35P5	IMLLEDR35D5	IMLLEDR35G5	IMLLEDR35J5
1 - 1/2	4K	IMLLEDR45P5	IMLLEDR45D5	IMLLEDR45G5	IMLLEDR45J5

25° Stanchion — One hub



1 - 1/4	2K	IMLLEDS24P5	IMLLEDS24D5	IMLLEDS24G5	IMLLEDS24J5
1 - 1/4	3K	IMLLEDS34P5	IMLLEDS34D5	IMLLEDS34G5	IMLLEDS34J5
1 - 1/4	4K	IMLLEDS44P5	IMLLEDS44D5	IMLLEDS44G5	IMLLEDS44J5
1 - 1/2	2K	IMLLEDS25P5	IMLLEDS25D5	IMLLEDS25G5	IMLLEDS25J5
1 - 1/2	3K	IMLLEDS35P5	IMLLEDS35D5	IMLLEDS35G5	IMLLEDS35J5
1 - 1/2	4K	IMLLEDS45P5	IMLLEDS45D5	IMLLEDS45G5	IMLLEDS45J5

Wall — Five hubs, Four Close-Up Plugs



3/4	2K	IMLLEDW22P5	IMLLEDW22D5	IMLLEDW22G5	IMLLEDW22J5
3/4	3K	IMLLEDW32P5	IMLLEDW32D5	IMLLEDW32G5	IMLLEDW32J5
3/4	4K	IMLLEDW42P5	IMLLEDW42D5	IMLLEDW42G5	IMLLEDW42J5
1	2K	IMLLEDW23P5	IMLLEDW23D5	IMLLEDW23G5	IMLLEDW23J5
1	3K	IMLLEDW33P5	IMLLEDW33D5	IMLLEDW33G5	IMLLEDW33J5
1	4K	IMLLEDW43P5	IMLLEDW43D5	IMLLEDW43G5	IMLLEDW43J5

① For optional fusing, add suffix **-F** to the end of the catalog number.

② For 120-277 Vac, use suffix **-BU**. For 347-480 Vac, use suffix **-BH**.

③ Guards for the glass refractors and globes are ordered separately. See following pages for accessory ordering information.

Industrial Mercmaster™ LED Low Profile Luminaires For Ordinary Locations







NEC/CEC:
cULus Listed
Type 3R, 4, 4X
IP66
Suitable for Use in Wet Locations
Marine Outside Type (Salt Water) for USA ONLY

Fixture Unit — Ballast Body and Globe or Refractor



Lumen Level	LED Wattage	Light Level Equivalent	NEMA Type	Catalog Number ①			
				For Polycarbonate Globe	For Polycarbonate Diffused Globe	Glass Globe ②	For Refractor ②
cULus Listed Fixture Housing - For Ordinary Locations							
2K	26	70W HPS	Type V	IMLLED2P5	IMLLED2D5	IMLLED2G5	IMLLED2J5
3K	35	100W HPS	Type V	IMLLED3P5	IMLLED3D5	IMLLED3G5	IMLLED3J5
4K	48	150W HPS	Type V	IMLLED4P5	IMLLED4D5	IMLLED4G5	IMLLED4J5

Mounting Hoods

	Description	Hub Size	Catalog Number
Pendant 	One Hub	3/4	KPA-75
		1	KPA-100
Pendant Cone 	One Hub, Rigid Mounting	3/4	KPCH-75
		1	KPCH-100
Ceiling 	Five Hubs, Four Close-Up Plugs	3/4	KPC-75
		1	KPC-100
Wall 	Five Hubs, Four Close-Up Plugs	3/4	KPWB-75
		1	KPWB-100
25° Stanchion 	One Hub	1-1/4	KPS-125
		1-1/2	KPS-150
90° Stanchion 	One Hub	1-1/4	KPST-125
		1-1/2	KPST-150

① For 120-277 Vac, 50/60Hz, add suffix **-BU** to catalog number. For 347-480 Vac, 50/60Hz, add suffix **-BH** to catalog number.
② Guards for the glass refractors and globes are ordered separately. See following pages for accessory ordering information.

Industrial Mercmaster™ LED Low Profile Luminaires

For Ordinary Locations

NEC/CEC:

cULus Listed

Type 3R, 4, 4X

IP66





Suitable for Use in Wet Locations


Marine Outside Type (Salt Water) for USA ONLY

Appleton

LED/AREA: NEC/CEC ORDINARY LOCATION

Replacement Parts





	Description	Catalog Number
Globes and Gaskets		
	Clear Globe (polycarbonate)	VPGL-LED
	Diffused Globe (polycarbonate)	VPGL-DIFF
	Glass Globe	VPGL-GLASS
	Globe Gasket — Silicone Rubber	KRF-GK



	Light Distribution	Catalog Number
Closed Prismatic Glass Refractors — All Heat-Resistant		
 Glass Refractor	NEMA Type V	LPG-R5


	Description	Catalog Number
LED Array		
	IMLLED2 Array assembly, Type V, 5700K	IMLLED2A5W
	IMLLED3 Array assembly, Type V, 5700K	IMLLED3A5W
	IMLLED4 Array assembly, Type V, 5700K	IMLLED4A5W
Drivers		
	120-277V Driver for IMLLED2BU and IMLLED3BU	IMLLEDBU
	120-277V Driver for IMLLED4BU	IMLLEDBU4
	347-480V Driver for IMLLED2BH	IMLLEDBH2
	347-480V Driver for IMLLED3BH	IMLLEDBH3
	347-480V Driver for IMLLED4BH	IMLLEDBH4

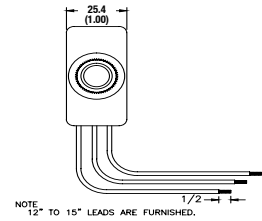
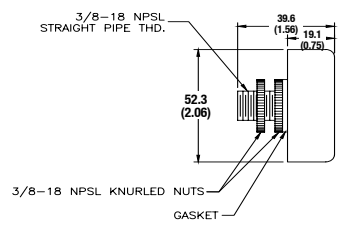
Industrial Mercmaster™ LED Low Profile Luminaires For Ordinary Locations

NEC/CEC:
cULus Listed
Type 3R, 4, 4X
IP66
Suitable for Use in Wet Locations
Marine Outside Type (Salt Water) for USA ONLY

Accessories		Description	Catalog Number
White Polyester Reflectors			
		30° Angle	CMR-4AN
		30° Angle	
Guards			
		Glass Globe Guard	MGU1
		Refractor Guard	KRG2
Adapters			
		Adapter Assembly from V51 to MM III/LED Series	LPAD-1 ①

PC Series Industrial Photocontrol ②				
	Voltage Range	Max VA	Max Current Amps	Suffix Designation Catalog Number
Factory Installed Photocontrol – Not for ceiling or pendant cone Add to fixture catalog after voltage; i.e.: IMLLEDA32P5BU5.				
	120 V, 50/60 Hz	1000	—	5
	208 V, 50/60 Hz	1000	—	6
	240 V, 50/60 Hz	1000	—	7
	277 V, 50/60 Hz	1000	—	8
Mercmaster III wall mounting hood with photocontrol installed shown				
Photocontrol, purchased separately				
	120 V, 50/60 Hz	1000	8.3 Amp	PC120
	208 V, 50/60 Hz	1000	4.8 Amp	PC248
	240 V, 50/60 Hz	1000	4.2 Amp	
	277 V, 50/60 Hz	1000	3.6 Amp	

Photocontrol in FS Cover for Use with FS/FD Box				
Supplied with two stainless steel screws. For neoprene gasket, order catalog number FS-GKR-1N.				
	120 V, 50/60 Hz	1000	8.3 Amp	FSKA-PC120
	208 V, 50/60 Hz	1000	4.8 Amp	FSKA-PC247
	240 V, 50/60 Hz	1000	4.2 Amp	
	277 V, 50/60 Hz	1000	3.6 Amp	



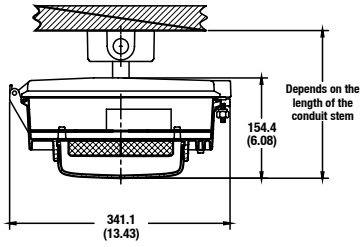
① LPAD-1 adapter is not UL certified for use with IMLLED luminaires.
② Fixtures with photocontrols are rated Type 3R. Available for 120-277 Vac versions only.

Industrial Mercmaster™ LED Low Profile Luminaires

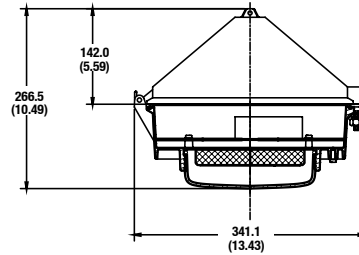
For Ordinary Locations

NEC/CEC:
 cULus Listed
 Type 3R, 4, 4X
 IP66
 Suitable for Use in Wet Locations
 Marine Outside Type (Salt Water) for USA ONLY

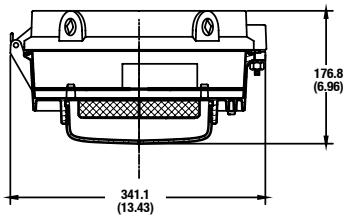
Dimensions With Polycarbonate Globe in Millimeters (Inches)



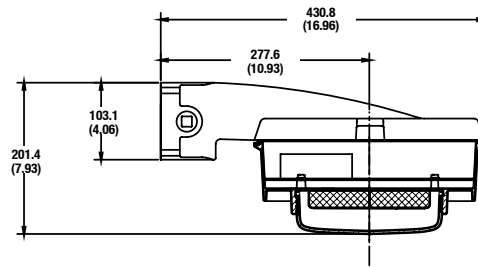
Pendant Mount



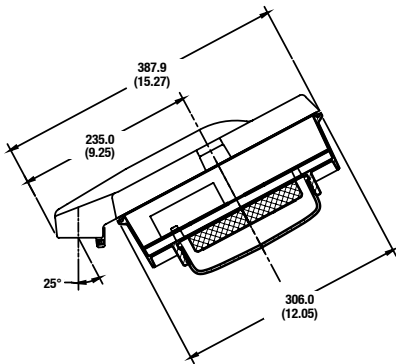
Pendant Cone Mount



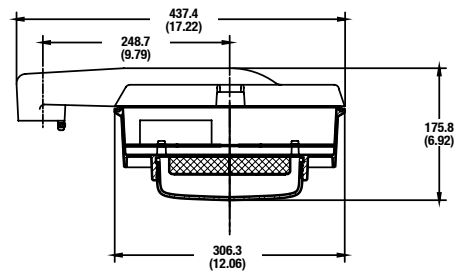
Ceiling Mount



Wall Mount



Angle Stanchion Mount

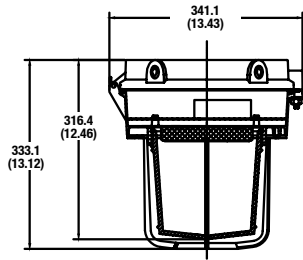


Stanchion Mount

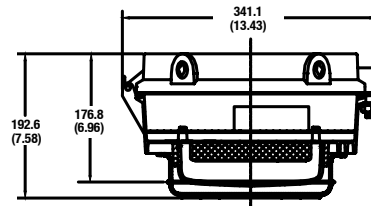
Industrial Mercmaster™ LED Low Profile Luminaires For Ordinary Locations

NEC/CEC:
cULus Listed
 Type 3R, 4, 4X
 IP66
 Suitable for Use in Wet Locations
 Marine Outside Type (Salt Water) for USA ONLY

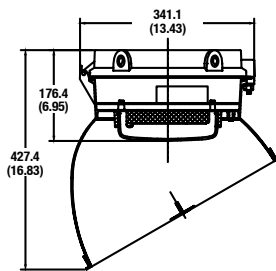
Dimensions With Polycarbonate Globe in Millimeters (Inches)



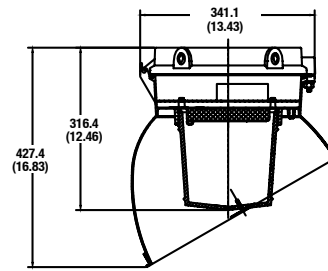
Ceiling Mount w/ Refractor and Guard



Ceiling Mount w/ Glass Globe and Guard



Ceiling Mount with Globe and 30° Reflector



Ceiling Mount with Refractor and 30° Reflector

Mercmaster LED Low Profile Fixture and Mounting Hood Weights

Description	Weight kg (lb)
Fixture Unit (IMLLED2/IMLLED3)	4.1 (9.00)
Fixture Unit (IMLLED4)	4.6 (10.1)
Pendant Mounting Hood	1.0 (2.25)
Pendant Cone Mounting Hood	1.1 (2.50)
Ceiling Mounting Hood	1.4 (3.00)
Wall Mounting Hood	1.8 (4.00)
25° Stanchion Mounting Hood	1.5 (3.25)
90° Stanchion Mounting Hood	1.7 (3.75)

Industrial Mercmaster™ LED Low Profile Luminaires

For Ordinary Locations

NEC/CEC:
 cULus Listed
 Type 3R, 4, 4X
 IP66
 Suitable for Use in Wet Locations
 Marine Outside Type (Salt Water) for USA ONLY

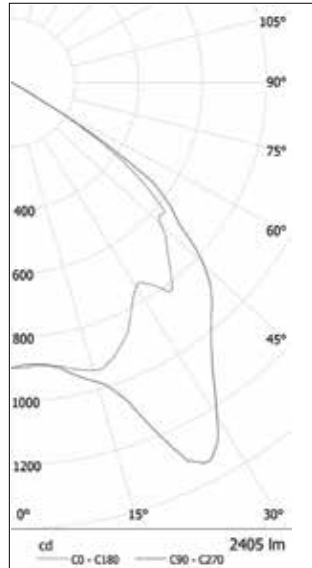
Photometric Data — DATA SHOWN IS ABSOLUTE

IMLLED2P5BU 2K Lumen 5700K CCT with Clear Polycarbonate Lens

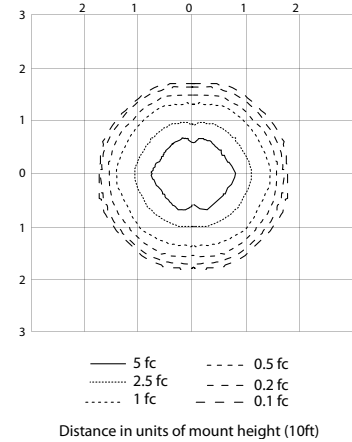
Zonal Lumens and Percentages at 25°C

Zone	Lumens	% Luminaire	Zone	Lumens	% Luminaire
0-30	852.7	35.4	0-10	86.5	3.6
0-40	1423	59.2	10-20	280.4	11.7
0-60	2368	98.5	20-30	485.8	20.2
60-90	37.0	1.5	30-40	570.3	23.7
0-90	2406	100.0	40-50	573.0	23.8
90-180	0.0	0.0	50-60	372.5	15.5
0-180	2406	100.0	60-70	27.9	1.2
			70-80	7.0	0.3
			80-90	2.1	0.1

Polar Candela Distribution



Isoillumination Plot

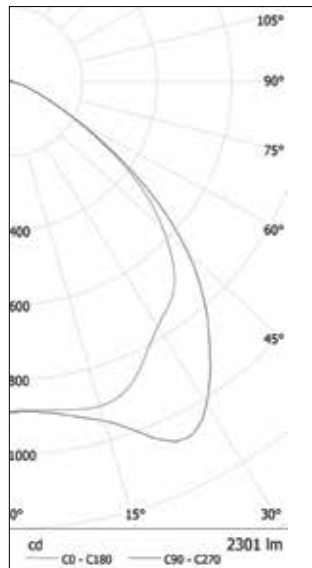


IMLLED2D5BU 2K Lumen 5700K CCT with Diffused Polycarbonate Lens

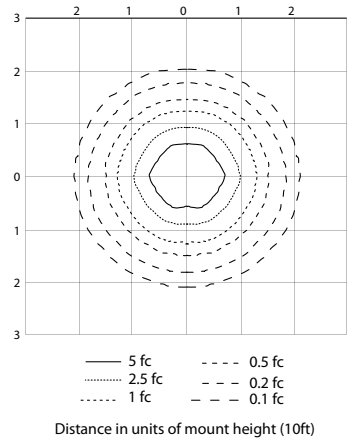
Zonal Lumens and Percentages at 25°C

Zone	Lumens	% Luminaire	Zone	Lumens	% Luminaire
0-30	788.1	34.3	0-10	85.9	3.7
0-40	1299	56.5	10-20	266.8	11.6
0-60	2092	90.9	20-30	435.4	18.9
60-90	194.5	8.5	30-40	510.6	22.2
0-90	2286	99.4	40-50	478.8	20.8
90-180	14.7	0.6	50-60	314.0	13.6
0-180	2301	100.0	60-70	130.7	5.7
			70-80	50.4	2.2
			80-90	13.4	0.6
			90-100	4.0	0.2
			100-110	9.5	0.4
			110-120	1.2	0.1

Polar Candela Distribution



Isoillumination Plot



Industrial Mercmaster™ LED Low Profile Luminaires

For Ordinary Locations

NEC/CEC:
 cULus Listed
 Type 3R, 4, 4X
 IP66
 Suitable for Use in Wet Locations
 Marine Outside Type (Salt Water) for USA ONLY

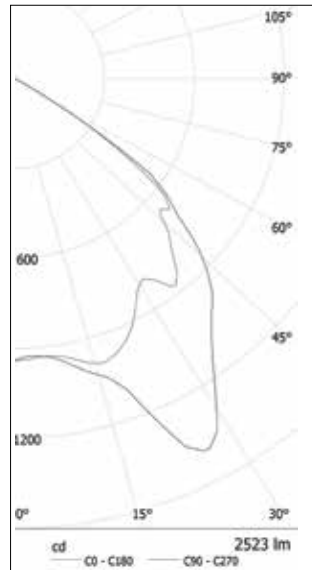
Photometric Data – DATA SHOWN IS ABSOLUTE

IMLLED2G5BU 2K Lumen 5700K CCT with Glass Globe

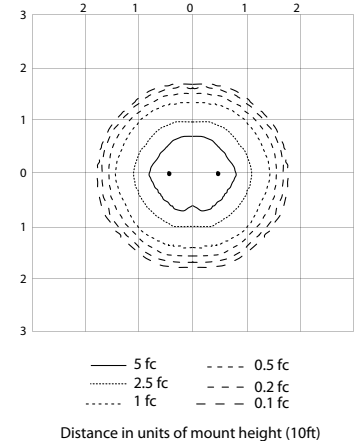
Zonal Lumens and Percentages at 25°C

Zone	Lumens	% Luminaire	Zone	Lumens	% Luminaire
0-30	896.4	35.5	0-10	90.7	3.6
0-40	1498	59.4	10-20	294.9	11.7
0-60	2490	98.7	20-30	510.7	20.2
60-90	33.4	1.3	30-40	601.9	23.9
0-90	2523	100.0	40-50	605.8	24.0
90-180	0.0	0.0	50-60	385.7	15.3
0-180	2523	100.0	60-70	26.1	1.0
			70-80	5.8	0.2
			80-90	1.4	0.1

Polar Candela Distribution



Isoillumination Plot

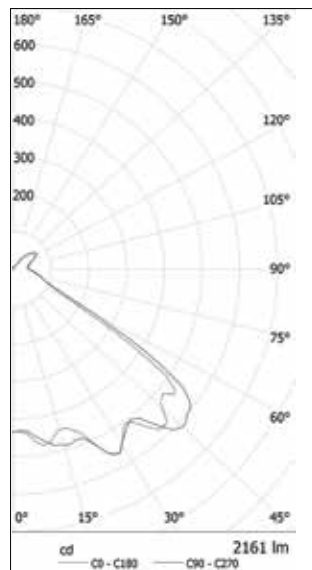


IMLLED2J5BU 2K Lumen 5700K CCT with Glass Refractor

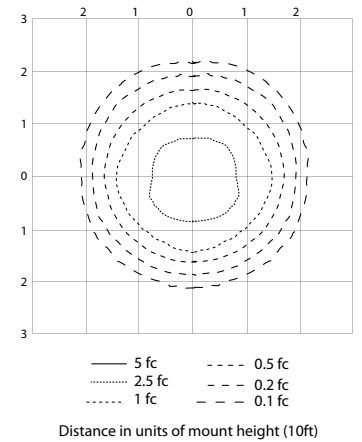
Zonal Lumens and Percentages at 25°C

Zone	Lumens	% Luminaire	Zone	Lumens	% Luminaire
0-30	421.8	19.5	0-10	42.6	2.0
0-40	758.5	35.1	10-20	137.9	6.4
0-60	1612	74.6	20-30	241.3	11.2
60-90	287.7	13.3	30-40	336.8	15.6
0-90	1900	87.9	40-50	440.2	20.4
90-180	261.4	12.1	50-60	413.6	19.1
0-180	2161	100.0	60-70	155.1	7.2
			70-80	79.1	3.7
			80-90	53.5	2.5
			90-100	42.3	2.0
			100-110	43.7	2.0
			110-120	53.9	2.5
			120-130	60.8	2.8
			130-140	42.9	2.0
			140-150	16.4	0.8
			150-160	1.4	0.1

Polar Candela Distribution



Isoillumination Plot



Industrial Mercmaster™ LED Low Profile Luminaires

For Ordinary Locations

NEC/CEC:

cULus Listed

Type 3R, 4, 4X

IP66

Suitable for Use in Wet Locations

Marine Outside Type (Salt Water) for USA ONLY

Photometric Data – DATA SHOWN IS ABSOLUTE

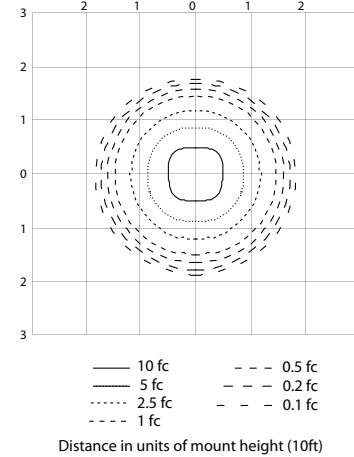
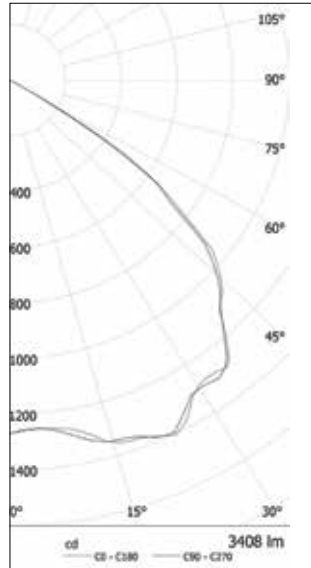
IMLLED3P5BU 3K Lumen 5700K CCT with Clear Polycarbonate Lens

Polar Candela Distribution

Isoillumination Plot

Zonal Lumens and Percentages at 25°C

Zone	Lumens	% Luminaire	Zone	Lumens	% Luminaire
0-30	1161	34.1	0-10	121.6	3.6
0-40	1992	58.5	10-20	378.1	11.1
0-60	3358	98.5	20-30	660.9	19.4
60-90	49.5	1.5	30-40	831.4	24.4
0-90	3408	100.0	40-50	837.7	24.6
90-180	0.0	0.0	50-60	528.5	15.5
0-180	3408	100.0	60-70	37.7	1.1
			70-80	9.2	0.3
			80-90	2.6	0.1



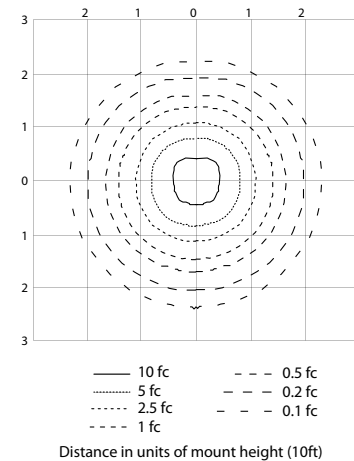
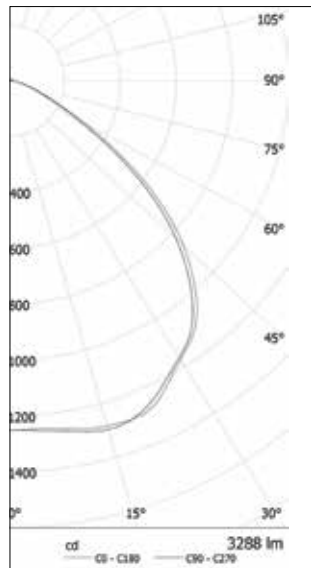
IMLLED3D5BU 3K Lumen 5700K CCT with Diffused Polycarbonate Lens

Polar Candela Distribution

Isoillumination Plot

Zonal Lumens and Percentages at 25°C

Zone	Lumens	% Luminaire	Zone	Lumens	% Luminaire
0-30	1090	33.2	0-10	120.5	3.7
0-40	1827	55.6	10-20	366.3	11.1
0-60	2980	90.6	20-30	603.4	18.4
60-90	283.7	8.6	30-40	736.6	22.4
0-90	3263	99.3	40-50	698.3	21.2
90-180	24.6	0.7	50-60	454.6	13.8
0-180	3288	100.0	60-70	188.8	5.7
			70-80	73.6	2.2
			80-90	21.3	0.6
			90-100	7.3	0.2
			100-110	14.8	0.4
			110-120	2.5	0.1



Industrial Mercmaster™ LED Low Profile Luminaires

For Ordinary Locations

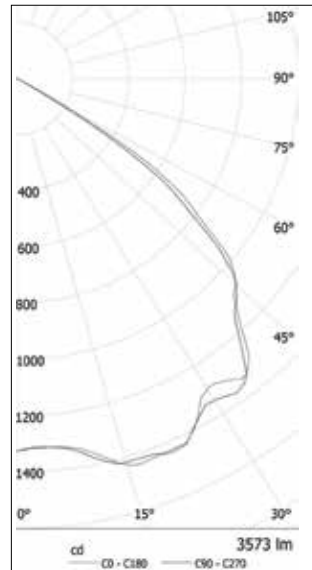
NEC/CEC:
 cULus Listed
 Type 3R, 4, 4X
 IP66
 Suitable for Use in Wet Locations
 Marine Outside Type (Salt Water) for USA ONLY

Photometric Data – DATA SHOWN IS ABSOLUTE
 IMLLED3G5BU 3K Lumen 5700K CCT with Glass Globe

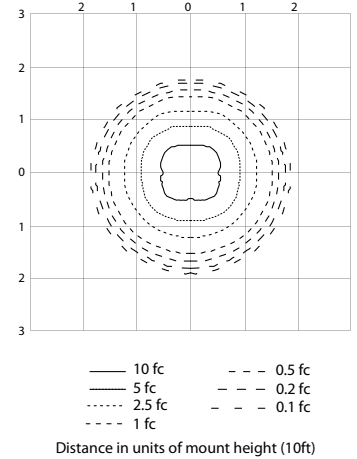
Zonal Lumens and Percentages at 25°C

Zone	Lumens	% Luminaire	Zone	Lumens	% Luminaire
0-30	1220	34.1	0-10	127.4	3.6
0-40	2095	58.6	10-20	397.2	11.1
0-60	3525	98.7	20-30	695.5	19.5
60-90	47.7	1.3	30-40	874.8	24.5
0-90	3573	100.0	40-50	880.9	24.7
90-180	0.0	0.0	50-60	549.3	15.4
0-180	3573	100.0	60-70	36.8	1.0
			70-80	8.5	0.2
			80-90	2.3	0.1

Polar Candela Distribution



Isoillumination Plot

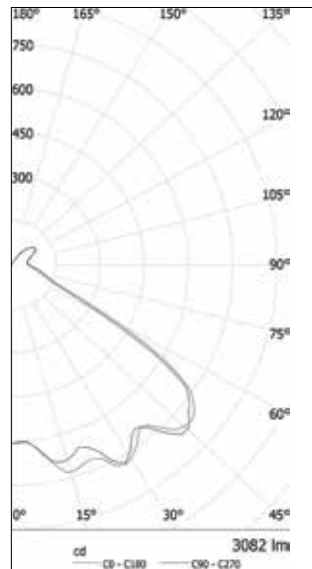


IMLLED3J5BU 3K Lumen 5700K CCT with Glass Refractor

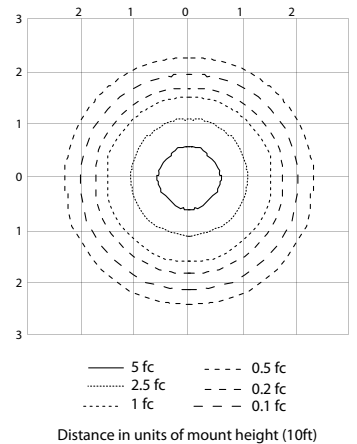
Zonal Lumens and Percentages at 25°C

Zone	Lumens	% Luminaire	Zone	Lumens	% Luminaire
0-30	593.6	19.3	0-10	59.9	1.9
0-40	1069	34.7	10-20	194.1	6.3
0-60	2292	74.4	20-30	339.6	11.0
60-90	417.3	13.5	30-40	475.6	15.4
0-90	2709	87.9	40-50	622.0	20.2
90-180	372.4	12.1	50-60	601.0	19.5
0-180	3082	100.0	60-70	227.5	7.4
			70-80	113.1	3.7
			80-90	76.7	2.5
			90-100	60.6	2.0
			100-110	62.7	2.0
			110-120	76.1	2.5
			120-130	84.4	2.8
			130-140	61.2	2.0
			140-150	24.1	0.8
			150-160	2.2	0.1

Polar Candela Distribution



Isoillumination Plot



Industrial Mercmaster™ LED Low Profile Luminaires

For Ordinary Locations

NEC/CEC:
 cULus Listed
 Type 3R, 4, 4X
 IP66
 Suitable for Use in Wet Locations
 Marine Outside Type (Salt Water) for USA ONLY

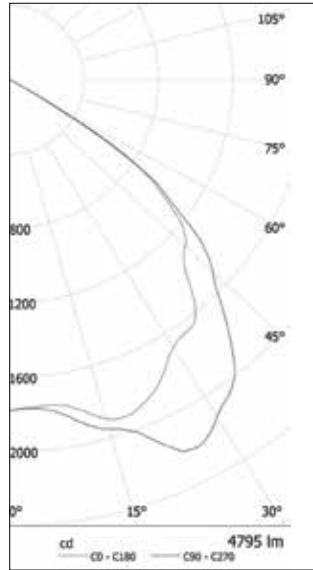
Photometric Data – DATA SHOWN IS ABSOLUTE

IMLLED4P5BU 4K Lumen 5700K CCT with Clear Polycarbonate Lens

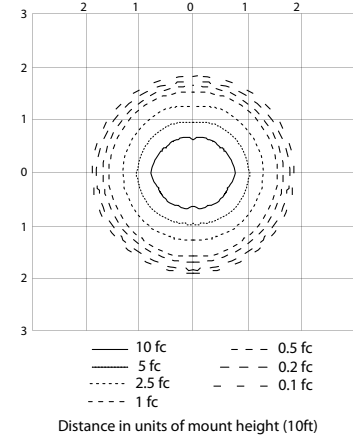
Zonal Lumens and Percentages at 25°C

Zone	Lumens	% Luminaire	Zone	Lumens	% Luminaire
0-30	1676	34.9	0-10	171.9	3.6
0-40	2829	59.0	10-20	549.3	11.5
0-60	4705	98.1	20-30	954.3	19.9
60-90	89.7	1.9	30-40	1153	24.0
0-90	4795	100.0	40-50	1126	23.5
90-180	0.0	0.0	50-60	751.1	15.7
0-180	4795	100.0	60-70	63.9	1.3
			70-80	17.9	0.4
			80-90	7.8	0.2

Polar Candela Distribution



Isoillumination Plot

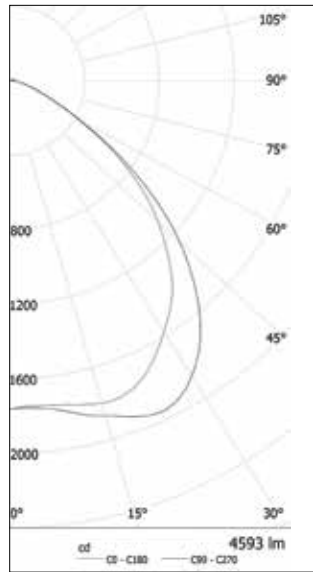


IMLLED4D5BU 4K Lumen 5700K CCT with Diffused Polycarbonate Lens

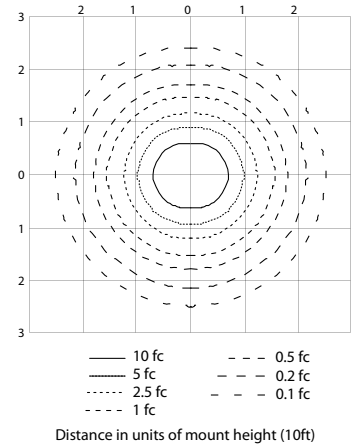
Zonal Lumens and Percentages at 25°C

Zone	Lumens	% Luminaire	Zone	Lumens	% Luminaire
0-30	1560	34.0	0-10	170.4	3.7
0-40	2583	56.2	10-20	526.5	11.5
0-60	4159	90.6	20-30	863.6	18.8
60-90	398.6	8.7	30-40	1022	22.3
0-90	4558	99.2	40-50	948.3	20.6
90-180	35.2	0.8	50-60	628.0	13.7
0-180	4593	100.0	60-70	266.2	5.8
			70-80	102.8	2.2
			80-90	29.6	0.6
			90-100	10.2	0.2
			100-110	21.6	0.5
			110-120	3.7	0.1

Polar Candela Distribution



Isoillumination Plot



LED/AREA: NEC/CEC ORDINARY LOCATION



Industrial Mercmaster™ LED Low Profile Luminaires

For Ordinary Locations

NEC/CEC:
 cULus Listed
 Type 3R, 4, 4X
 IP66
 Suitable for Use in Wet Locations
 Marine Outside Type (Salt Water) for USA ONLY

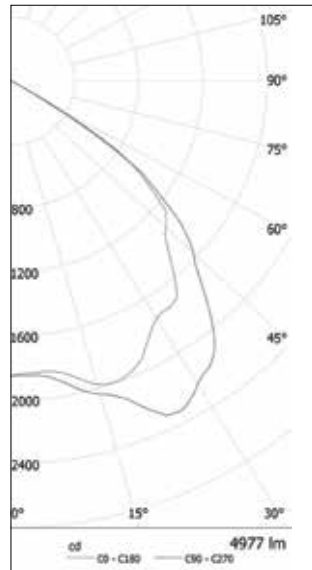
Photometric Data – DATA SHOWN IS ABSOLUTE

IMLLED4G5BU 4K Lumen 5700K CCT with Glass Globe

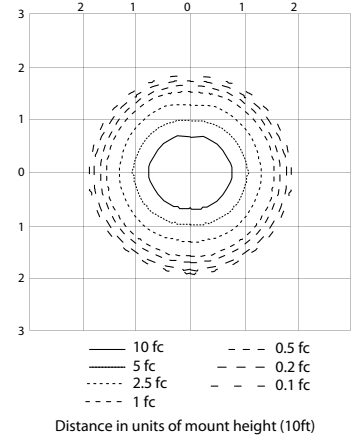
Zonal Lumens and Percentages at 25°C

Zone	Lumens	% Luminaire	Zone	Lumens	% Luminaire
0-30	1748	35.1	0-10	178.5	3.6
0-40	2952	59.3	10-20	572.7	11.5
0-60	4906	98.6	20-30	997.0	20.0
60-90	71.5	1.4	30-40	1204	24.2
0-90	4977	100.0	40-50	1175	23.6
90-180	0.0	0.0	50-60	778.5	15.6
0-180	4977	100.0	60-70	57.6	1.2
			70-80	11.2	0.2
			80-90	2.6	0.1

Polar Candela Distribution



Isoillumination Plot

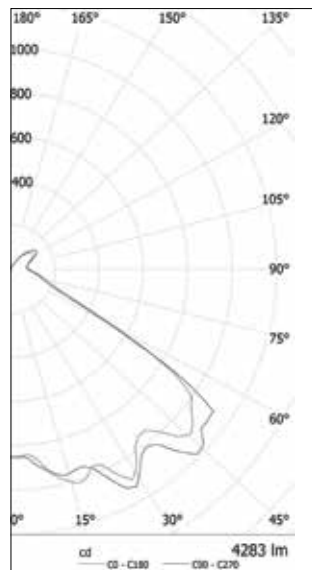


IMLLED4J5BU 4K Lumen 5700K CCT with Glass Refractor

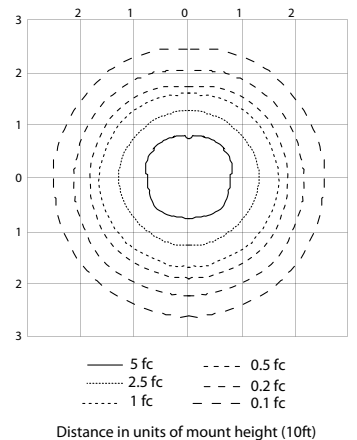
Zonal Lumens and Percentages at 25°C

Zone	Lumens	% Luminaire	Zone	Lumens	% Luminaire
0-30	836.3	19.5	0-10	84.6	2.0
0-40	1501	35.0	10-20	274.6	6.4
0-60	3199	74.7	20-30	477.1	11.1
60-90	571.9	13.4	30-40	664.8	15.5
0-90	3771	88.0	40-50	871.2	20.3
90-180	512.5	12.0	50-60	826.7	19.3
0-180	4283	100.0	60-70	308.3	7.2
			70-80	156.7	3.7
			80-90	106.9	2.5
			90-100	84.6	2.0
			100-110	87.9	2.1
			110-120	105.6	2.5
			120-130	115.7	2.7
			130-140	82.9	1.9
			140-150	32.6	0.8
			150-160	3.2	0.1

Polar Candela Distribution



Isoillumination Plot



Industrial Mercmaster™ LED Low Profile Luminaires

For Ordinary Locations

NEC/CEC:
 cULus Listed
 Type 3R, 4, 4X
 IP66
 Suitable for Use in Wet Locations
 Marine Outside Type (Salt Water) for USA ONLY

Photometric Data — DATA SHOWN IS ABSOLUTE

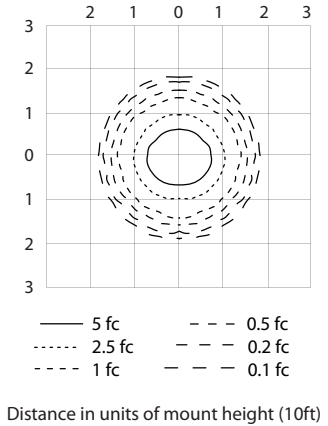
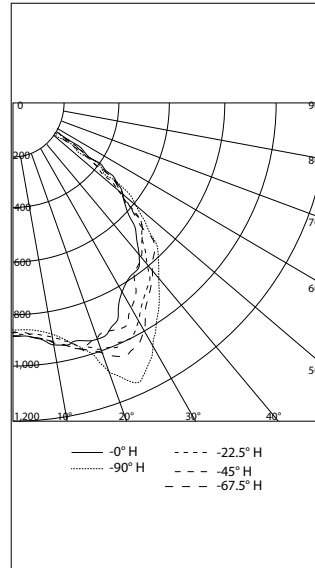
IMLLED2P5BH 2K Lumen 5700K CCT with Clear Polycarbonate Lens

Polar Candela Distribution

Isoillumination Plot

Zonal Lumens and Percentages at 25°C

Zone	Lumens	% Luminaire	Zone	Lumens	% Luminaire
0-30	818.3	35.4	0-10	85.0	3.7
0-40	1366	59.2	10-20	271.7	11.8
0-60	2260	97.8	20-30	461.6	20.0
60-90	49.5	2.1	30-40	548.1	23.7
70-100	10.1	0.4	40-50	545.8	23.6
90-120	0.3	0.0	50-60	347.8	15.1
0-90	2310	100.0	60-70	39.5	1.7
90-180	0.3	0.0	70-80	7.4	0.3
0-180	2310	100.0	80-90	2.7	0.1
			90-100	0.1	0.0
			100-110	0.2	0.0



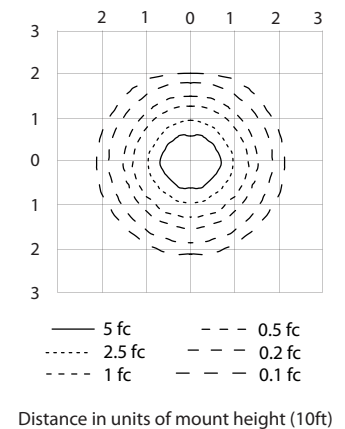
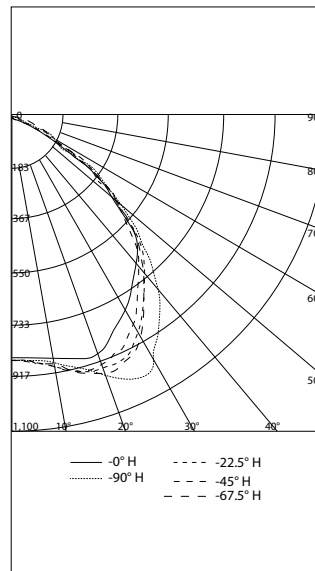
IMLLED2D5BH 2K Lumen 5700K CCT with Diffused Polycarbonate Lens

Polar Candela Distribution

Isoillumination Plot

Zonal Lumens and Percentages at 25°C

Zone	Lumens	% Luminaire	Zone	Lumens	% Luminaire
0-30	766.8	34.4	0-10	83.9	3.8
0-40	1261	56.5	10-20	260.4	11.7
0-60	2024	90.7	20-30	422.5	18.9
60-90	190.0	8.5	30-40	494.0	22.1
70-100	68.5	3.1	40-50	461.5	20.7
90-120	16.7	0.7	50-60	301.5	13.5
0-90	2214	99.3	60-70	126.5	5.7
90-180	16.7	0.7	70-80	49.4	2.2
0-180	2230	100.0	80-90	14.0	0.6
			90-100	5.0	0.2
			100-110	10.1	0.5
			110-120	1.5	0.1



Appleton

LED/AREA: NEC/CEC, ATEX/IECEx ENCLOSED AND GASKETED

Industrial Mercmaster™ LED Low Profile Luminaires

For Ordinary Locations

NEC/CEC:
 cULus Listed
 Type 3R, 4, 4X
 IP66
 Suitable for Use in Wet Locations
 Marine Outside Type (Salt Water) for USA ONLY

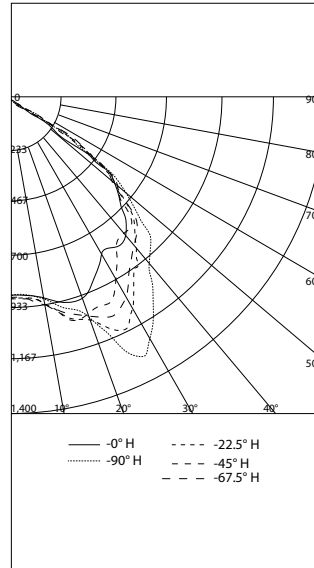
Photometric Data — DATA SHOWN IS ABSOLUTE

IMLLED2G5BH 2K Lumen 5700K CCT with Glass Globe

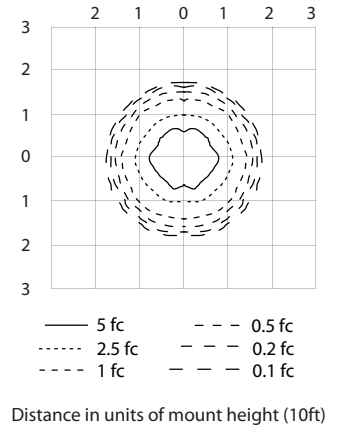
Zonal Lumens and Percentages at 25°C

Zone	Lumens	% Luminaire	Zone	Lumens	% Luminaire
0-30	863.5	35.5	0-10	87.7	3.6
0-40	1442	59.3	10-20	284.6	11.7
0-60	2398	98.7	20-30	491.2	20.2
60-90	31.8	1.3	30-40	578.1	23.8
70-100	7.4	0.3	40-50	585.1	24.1
90-120	0.0	0.0	50-60	371.2	15.3
0-90	2430	100.0	60-70	24.5	1.0
90-180	0.0	0.0	70-80	5.7	0.2
0-180	2430	100.0	80-90	1.7	0.1
			90-100	0.0	0.0

Polar Candela Distribution



Isoillumination Plot

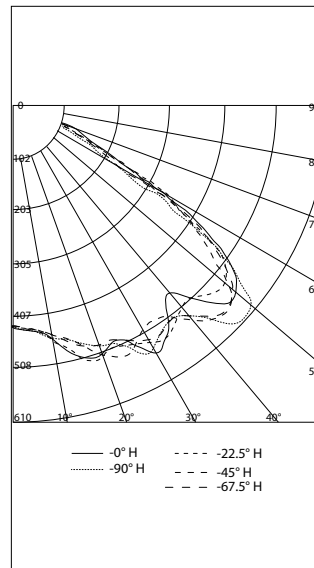


IMLLED2J5BH 2K Lumen 5700K CCT with Glass Refractor

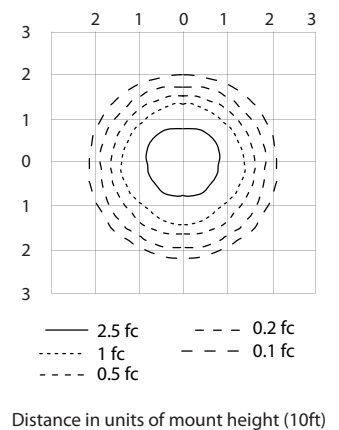
Zonal Lumens and Percentages at 25°C

Zone	Lumens	% Luminaire	Zone	Lumens	% Luminaire
0-30	413.8	20.0	0-10	42.1	2.0
0-40	743.2	35.9	10-20	134.5	6.5
0-60	1552	75.0	20-30	237.1	11.5
60-90	268.2	13.0	30-40	329.4	15.9
70-100	167.5	8.1	40-50	426.7	20.6
90-120	136.1	6.6	50-60	381.7	18.4
0-90	1820	87.9	60-70	141.7	6.8
90-180	250.2	12.1	70-80	75.1	3.6
0-180	2070	100.0	80-90	51.4	2.5
			90-100	41.0	2.0
			100-110	42.7	2.1
			110-120	52.4	2.5
			120-130	57.3	2.8
			130-140	40.0	1.9
			140-150	15.3	0.7
			150-160	1.5	0.1
			160-170	0.0	0.0

Polar Candela Distribution



Isoillumination Plot



Appleton

LED/AREA: NEC/CEC, ATEX/IECEx ENCLOSED AND GASKETED

Industrial Mercmaster™ LED Low Profile Luminaires

For Ordinary Locations

NEC/CEC:
 cULus Listed
 Type 3R, 4, 4X
 IP66
 Suitable for Use in Wet Locations
 Marine Outside Type (Salt Water) for USA ONLY

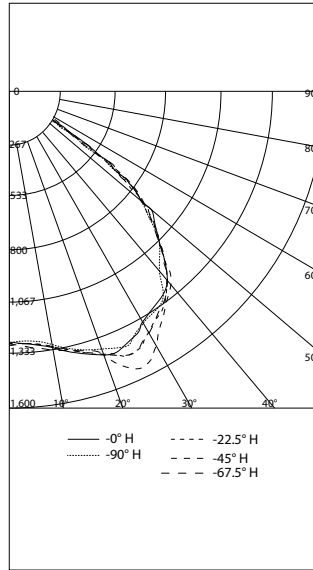
Photometric Data — DATA SHOWN IS ABSOLUTE

IMLLED3P5BH 3K Lumen 5700K CCT with Clear Polycarbonate Lens

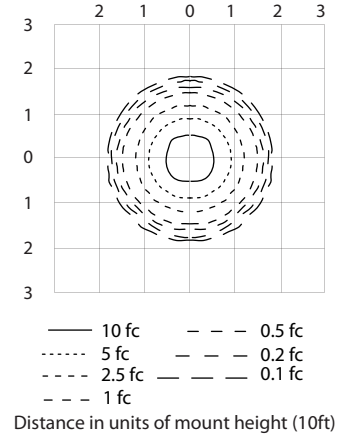
Zonal Lumens and Percentages at 25°C

Zone	Lumens	% Luminaire	Zone	Lumens	% Luminaire
0-30	1185	34.3	0-10	124.1	3.6
0-40	2030	58.7	10-20	386.9	11.2
0-60	3402	98.4	20-30	673.7	19.5
60-90	54.1	1.6	30-40	845.5	24.5
70-100	13.7	0.4	40-50	847.6	24.5
90-120	0.3	0.0	50-60	523.7	15.2
0-90	3456	100.0	60-70	40.4	1.2
90-180	0.3	0.0	70-80	10.3	0.3
0-180	3456	100.0	80-90	3.3	0.1
			90-100	0.1	0.0
			100-110	0.3	0.0
			110-120	0.0	0.0

Polar Candela Distribution



Isoillumination Plot

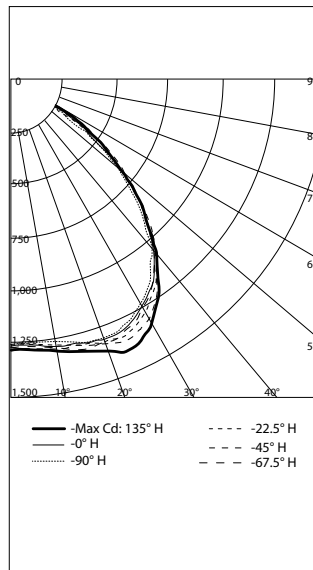


IMLLED3D5BH 3K Lumen 5700K CCT with Diffused Polycarbonate Lens

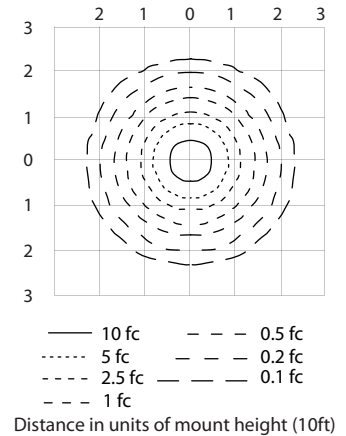
Zonal Lumens and Percentages at 25°C

Zone	Lumens	% Luminaire	Zone	Lumens	% Luminaire
0-30	1111	33.4	0-10	122.5	3.7
0-40	1856	55.8	10-20	373.2	11.2
0-60	3010	90.5	20-30	614.8	18.5
60-90	290.5	8.7	30-40	745.5	22.4
70-100	106.5	3.2	40-50	700.4	21.0
90-120	27.0	0.8	50-60	453.9	13.6
0-90	3301	99.2	60-70	192.0	5.8
90-180	27.0	0.8	70-80	76.7	2.3
0-180	3328	100	80-90	21.9	0.7
			90-100	8.0	0.2
			100-110	16.2	0.5
			110-120	2.8	0.1

Polar Candela Distribution



Isoillumination Plot



Appleton

LED/AREA: NEC/CEC, ATEX/IECEx ENCLOSED AND GASKETED

Industrial Mercmaster™ LED Low Profile Luminaires

For Ordinary Locations

NEC/CEC:
 cULus Listed
 Type 3R, 4, 4X
 IP66
 Suitable for Use in Wet Locations
 Marine Outside Type (Salt Water) for USA ONLY

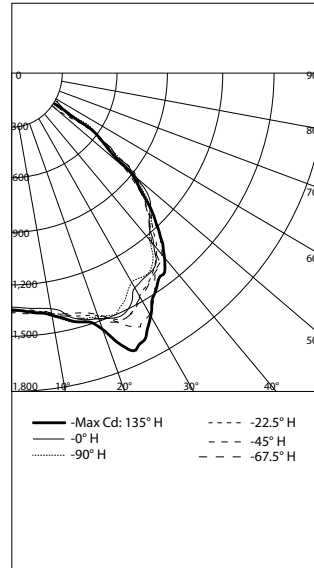
Photometric Data — DATA SHOWN IS ABSOLUTE

IMLLED3G5BH 3K Lumen 5700K CCT with Glass Globe

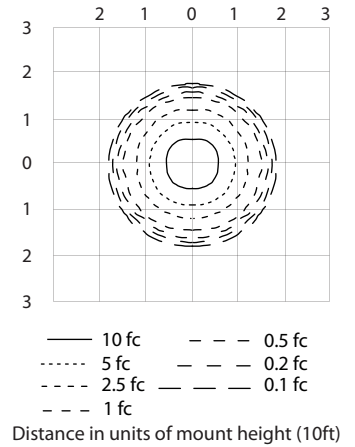
Zonal Lumens and Percentages at 25°C

Zone	Lumens	% Luminaire	Zone	Lumens	% Luminaire
0-30	1246	34.4	0-10	129.7	3.6
0-40	2135	59.0	10-20	405.5	11.2
0-60	3572	98.7	20-30	710.4	19.6
60-90	45.3	1.3	30-40	889.6	24.6
70-100	10.7	0.3	40-50	891.7	24.6
90-120	0.0	0.0	50-60	545.3	15.1
0-90	3618	100.0	60-70	34.6	1.0
90-180	0.0	0.0	70-80	8.5	0.2
0-180	3618	100.0	80-90	2.2	0.1
			90-100	0.0	0.0

Polar Candela Distribution



Isoillumination Plot

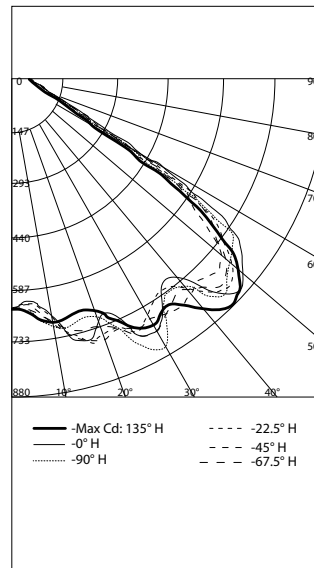


IMLLED3J5BH 3K Lumen 5700K CCT with Glass Refractor

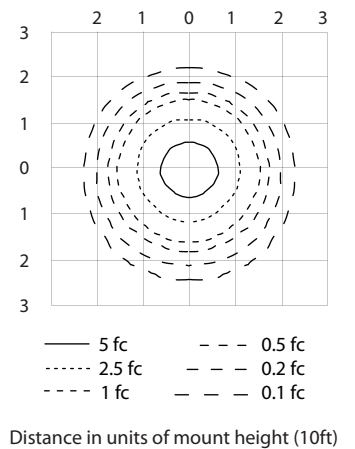
Zonal Lumens and Percentages at 25°C

Zone	Lumens	% Luminaire	Zone	Lumens	% Luminaire
0-30	611.3	19.8	0-10	62.1	2.0
0-40	1095	35.5	10-20	199.1	6.5
0-60	2306	74.8	20-30	350.1	11.4
60-90	404.5	13.1	30-40	483.6	15.7
70-100	252.1	8.2	40-50	630.5	20.5
90-120	202.4	6.6	50-60	580.8	18.8
0-90	2711	87.9	60-70	213.9	6.9
90-180	371.5	12.1	70-80	113.5	3.7
0-180	3082	100.0	80-90	77.1	2.5
			90-100	61.5	2.0
			100-110	64.0	2.1
			110-120	77.0	2.5
			120-130	84.2	2.7
			130-140	59.7	1.9
			140-150	23.0	0.7
			150-160	2.2	0.1
			160-170	0.0	0.0

Polar Candela Distribution



Isoillumination Plot



Appleton

LED/AREA: NEC/CEC, ATEX/IECEx ENCLOSED AND GASKETED

Industrial Mercmaster™ LED Low Profile Luminaires

For Ordinary Locations

NEC/CEC:
 cULus Listed
 Type 3R, 4, 4X
 IP66
 Suitable for Use in Wet Locations
 Marine Outside Type (Salt Water) for USA ONLY

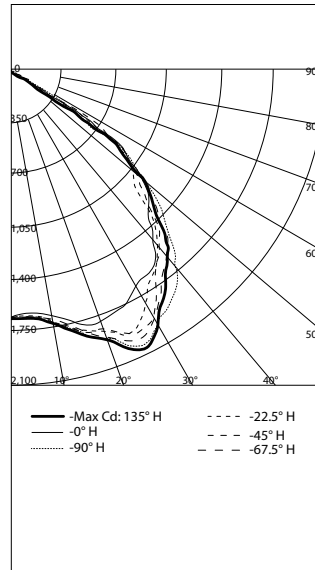
Photometric Data — DATA SHOWN IS ABSOLUTE

IMLLED4P5BH 4K Lumen 5700K CCT with Clear Polycarbonate Lens

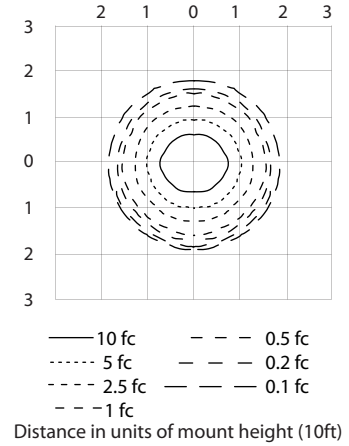
Zonal Lumens and Percentages at 25°C

Zone	Lumens	% Luminaire	Zone	Lumens	% Luminaire
0-30	1577	35.2	0-10	161.3	3.6
0-40	2660	59.4	10-20	517.2	11.5
0-60	4409	98.5	20-30	898.8	20.1
60-90	69.0	1.5	30-40	1082	24.2
70-100	16.6	0.4	40-50	1053	23.5
90-120	0.0	0.0	50-60	695.9	15.5
0-90	4478	100.0	60-70	52.4	1.2
90-180	0.0	0.0	70-80	12.9	0.3
0-180	4478	100.0	80-90	3.8	0.1

Polar Candela Distribution



Isoillumination Plot

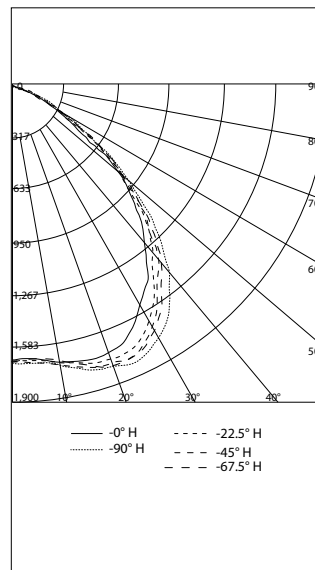


IMLLED4D5BH 4K Lumen 5700K CCT with Diffused Polycarbonate Lens

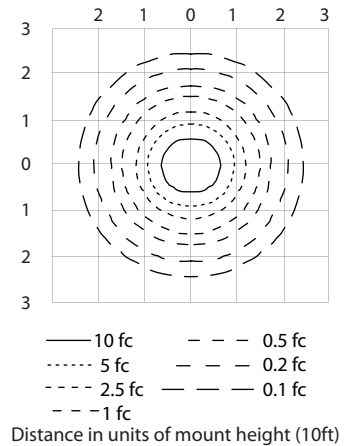
Zonal Lumens and Percentages at 25°C

Zone	Lumens	% Luminaire	Zone	Lumens	% Luminaire
0-30	1465	34.0	0-10	160.7	3.7
0-40	2418	56.1	10-20	495.4	11.5
0-60	3885	90.2	20-30	808.3	18.8
60-90	386.6	9.0	30-40	953.8	22.1
70-100	143.1	3.3	40-50	883.0	20.5
90-120	36.6	0.8	50-60	583.9	13.6
0-90	4272	99.2	60-70	254.5	5.9
90-180	36.6	0.8	70-80	102.5	2.4
0-180	4309	100.0	80-90	29.6	0.7
			90-100	11.0	0.3
			100-110	22.0	0.5
			110-120	3.6	0.1

Polar Candela Distribution



Isoillumination Plot



Industrial Mercmaster™ LED Low Profile Luminaires

For Ordinary Locations

NEC/CEC:
 cULus Listed
 Type 3R, 4, 4X
 IP66
 Suitable for Use in Wet Locations
 Marine Outside Type (Salt Water) for USA ONLY

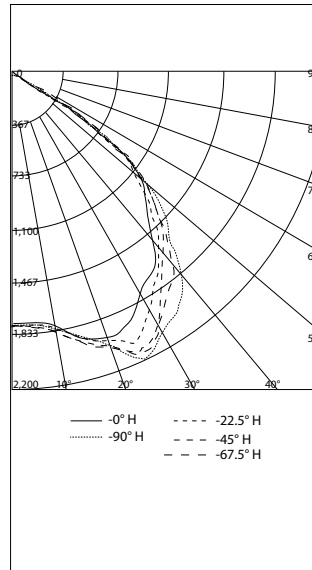
Photometric Data — DATA SHOWN IS ABSOLUTE

IMLLED4G5BH 4K Lumen 5700K CCT with Glass Globe

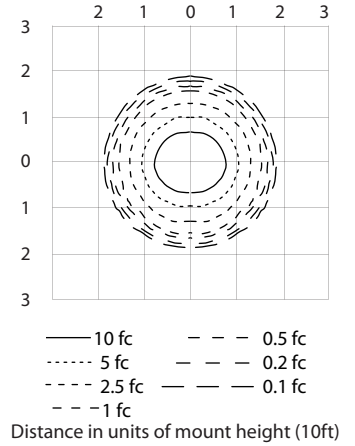
Zonal Lumens and Percentages at 25°C

Zone	Lumens	% Luminaire	Zone	Lumens	% Luminaire
0-30	1658	35.3	0-10	169.1	3.6
0-40	2799	59.6	10-20	544.3	11.6
0-60	4634	98.6	20-30	944.5	20.1
60-90	64.7	1.4	30-40	1141	24.3
70-100	15.3	0.3	40-50	1111	23.6
90-120	0.2	0.0	50-60	724	15.4
0-90	4699	100.0	60-70	49.7	1.1
90-180	0.2	0.0	70-80	11.5	0.2
0-180	4699	100.0	80-90	3.5	0.1
			90-100	0.2	0.0

Polar Candela Distribution



Isoillumination Plot

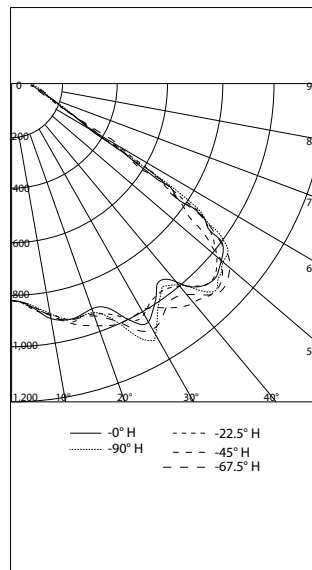


IMLLED4J5BH 4K Lumen 5700K CCT with Glass Refractor

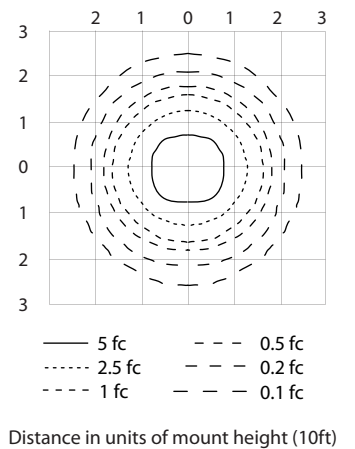
Zonal Lumens and Percentages at 25°C

Zone	Lumens	% Luminaire	Zone	Lumens	% Luminaire
0-30	804.6	20.1	0-10	81.7	2.0
0-40	1440	35.9	10-20	262.3	6.5
0-60	3021	75.3	20-30	460.6	11.5
60-90	515.6	12.9	30-40	635.1	15.8
70-100	323.7	8.1	40-50	829.5	20.7
90-120	261.1	6.5	50-60	752.0	18.8
0-90	3637	88.2	60-70	271.1	6.8
90-180	473.4	11.8	70-80	145.6	3.6
0-180	4010	100.0	80-90	99.0	2.5
			90-100	79.2	2.0
			100-110	82.5	2.1
			110-120	99.4	2.5
			120-130	106.3	2.7
			130-140	74.5	1.9
			140-150	28.7	0.7
			150-160	2.7	0.1
			160-170	0.0	0.0

Polar Candela Distribution



Isoillumination Plot



Appleton

LED/AREA: NEC/CEC, ATEX/IECEx ENCLOSED AND GASKETED