

GUSC Heavy Duty Tumbler Switches

Explosionproof, Dust-Ignitionproof

30 Amp, 600 Vac UNILETS® for Use with Rigid Metal Conduit and IMC.

Class I, Division 1 and 2, Group D
 Class II, Division 1 and 2, Groups E, F, G
 Class III
 NEMA 7D, 9EFG

Applications

- For heavy-duty usage. Units available for disconnect use up to 20 HP at 600 Vac.
- For controlling motors and other apparatus.
- Confines arcing of switch, if any, to enclosure interior.
- For use in such classified locations as:
 - Paint and varnish plants
 - Grain elevators
 - Coal or grain processing
 - Gasoline bulk loading terminals
 - Metal finishing areas

Features

- Heavy-duty disconnect use up to 600 Vac.
- Compact design permits use in cramped quarters as on machinery.
- Threaded cover provides easy access for wiring and maintenance.
- Provided with mounting lugs.
- Smooth, rounded integral bushing in each hub protects conductor insulation.

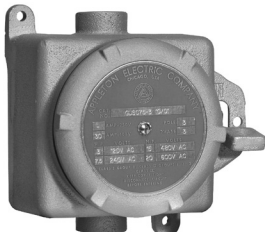
- Accurately tapped, tapered hubs for tight, rigid joints and ground continuity.
- Threaded stainless steel shaft for operating handle.
- Lockable operating handle.

Standard Materials

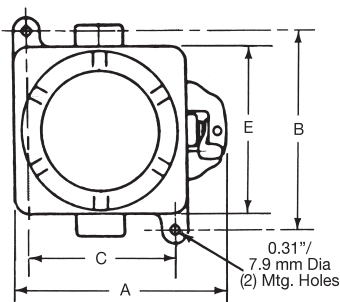
- Body: malleable iron
- Cover: copperfree (4/10 of 1% max.) aluminum

Standard Finishes

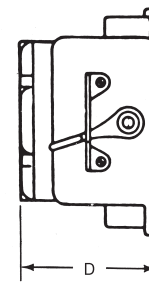
- Body: triple-coat (1) zinc electroplate, (2) chromate, and (3) epoxy powder coat
- Cover: natural finish

Hub Size (Inches)	Switch	Switch Rating	Catalog Number
 3/4	2-Pole	30 Amp, 600 Vac 3 HP, 240 Vac 7-1/2 HP, 480 Vac 10 HP, 600 Vac	GUSC75-2
	3-Pole	30 Amp, 600 Vac 7-1/2 HP, 240 Vac 15 HP, 480 Vac 20 HP, 600 Vac	GUSC75-3

Dimensions



Front



Side

Switch	Dimensions in Inches/Millimeters				
	A	B	C	D	E
2- and 3-pole	6.06/153.9	5.63/143	4.19/106.4	3.94/100.1	4.63/117.6