

Areamaster™ Green LED Flood/High Bay Luminaires

General Duty

Marine Outside Type (Salt Water)
Wet Locations
Type 4X
IP66

Applications

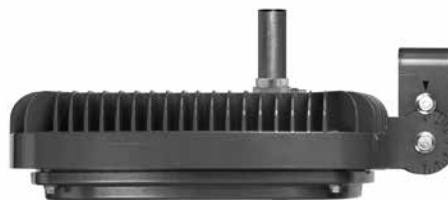
- Locations where a green light is required for steel manufacturing quality inspection

Features

- LED color: green.
- Compact in size, attractively styled contemporary design, rugged and dependable.
- Easy to install and service.
- One-piece housing.
- One-piece lens cover. Secured by four M6 captive stainless steel slotted hex-head bolts.
- Thermal shock and impact resistant glass lens.
- Heavy duty, high temperature silicone rubber gasket, firmly seated.
- Floodlight Mounting:
 - Yoke mount, zinc plated steel yoke with architectural bronze polyester finish.
- High Bay Mounting:
 - (1) Conduit entry on back of luminaire.
 - Rotate yoke up or remove.
- Vibration rated in all configurations.
- Cool operating temperatures translate into long luminaire life.
- Total of three (3) 3/4" NPT entries with integral bushings.
- Two (2) aluminum close up plugs provided.
- Electrical: 120-277 Vac, 50/60 Hz.
- Nominal input power: 165.
- Maximum input Amps: 1.40 - 0.60.
- Power factor: > 0.90.
- Terminal block (screw type for secure connection) can accept 24-10 AWG wire.



Floodlight



High Bay

Standard Materials

- Ballast housing and lens door: copperfree (4/10 of 1% max.) aluminum
- Gasket: silicone rubber
- Reflector: metallized high reflectance finish
- Yoke mount: zinc plated steel
- Bolts: stainless steel
- Plugs: (2) aluminum provided


Standard Finishes

- Housing, lens cover and yoke mount: architectural bronze polyester





Areamaster™ Green LED Flood/High Bay Luminaires

General Duty

Marine Outside Type (Salt Water)
Wet Locations
Type 4X
IP66

	Line Voltage	Yoke Mount Catalog Number
	120-277 50/60 Hz	AMLED77YBUGR

Accessories

	Description	Catalog Numbers
Crossarm Mounting Bracket		
	Has 180° horizontal adjustment — degree marked. Facilitates mounting floodlight to crossarm or other flat surface, or to G-AM-8-WB. Includes floodlight yoke bolts. Malleable iron, zinc plated, chromate sealed, architectural bronze polyester finish.	G-AM-8-CA
Pipe or Wall Mount Bracket		
	Used with G-AM-8-CA. Clamps to 1" to 2-1/2" pipe, vertical or horizontal, or mounts on flat surfaces. Includes U-bolt and crossarm bracket bolts. Malleable iron, zinc plated, chromate sealed, with architectural bronze polyester finish.	G-AM-8-WB
Poletop Slip-Fitter		
	Slip-fits 1-1/2" or 2" pipe size poletop tenons. Includes floodlight yoke bolts, 3 locking bolts, and cord grip. Body is malleable iron-zinc plated, chromate sealed, with cast aluminum cap. Assembly has architectural bronze polyester finish.	G-SF20
Poletop Slip-Fitter		
	Slip-fits 2" or 2-1/2" poletop tenons. Includes floodlight yoke bolts, 3 locking bolts, and cord grip. Malleable iron, zinc plated, chromate sealed, with architectural bronze polyester finish.	G-AM-8-SF

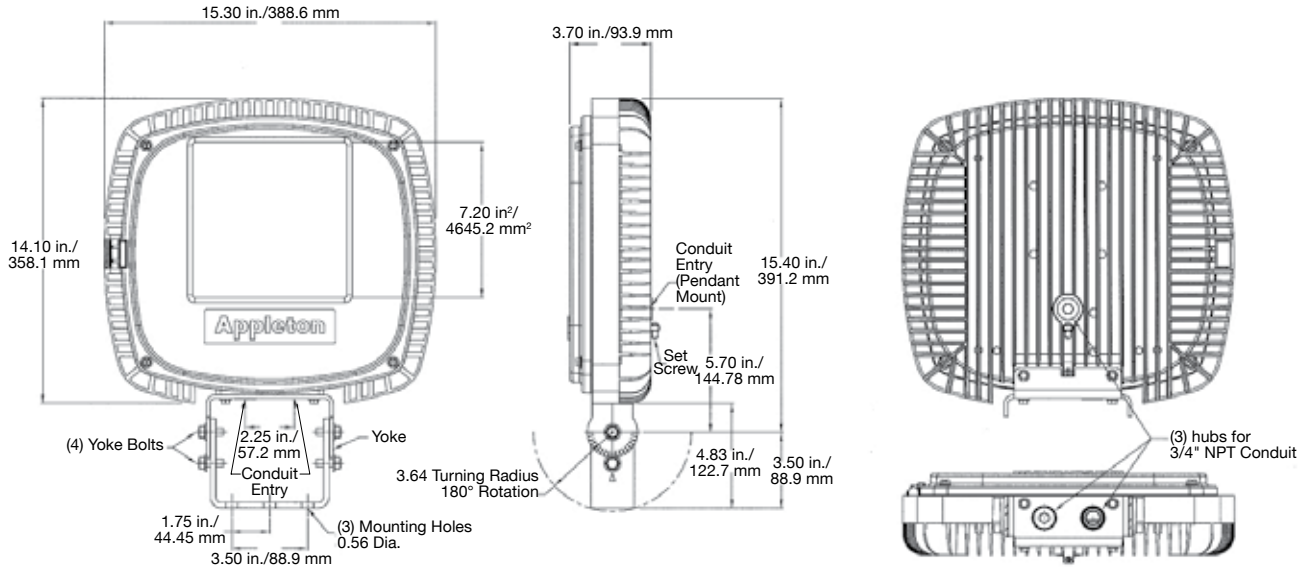
LIGHTING: GENERAL LIGHTING – AREA – FLOODLIGHTS

Areamaster™ Green LED Flood/High Bay Luminaire Dimensions

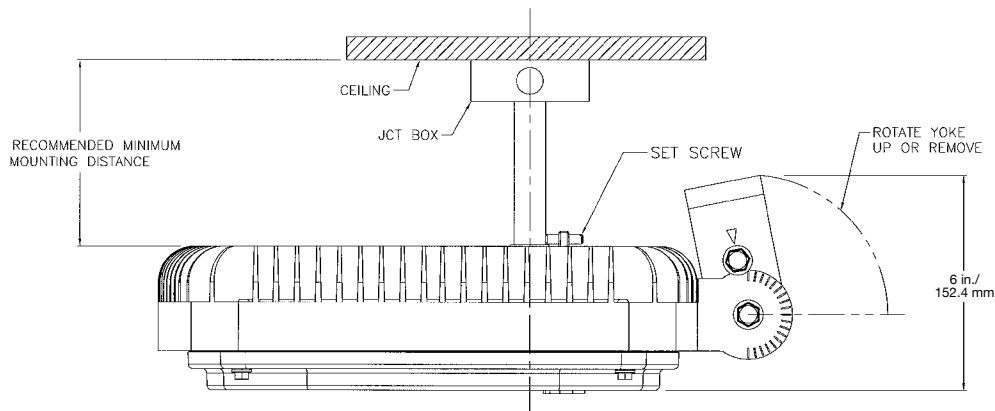
General Duty

Dimensions in Inches/Millimeters

Floodlight



High Bay Pendant Mount



LIGHTING: GENERAL LIGHTING -- AREA -- FLOODLIGHTS

Lighting

Areamaster™ Green LED Flood/High Bay Luminaire Photometric Data

General Duty

DATA SHOWN IS ABSOLUTE

REPORT NUMBER: **AMLED77YBUGR**

Fixture: Flood Mount, Led Board 60 LED, Specular Reflector 6–1/2 X 6–1/2 Tapered To 3–1/2 X 3–1/2 , Lens Clear 7 x 7"

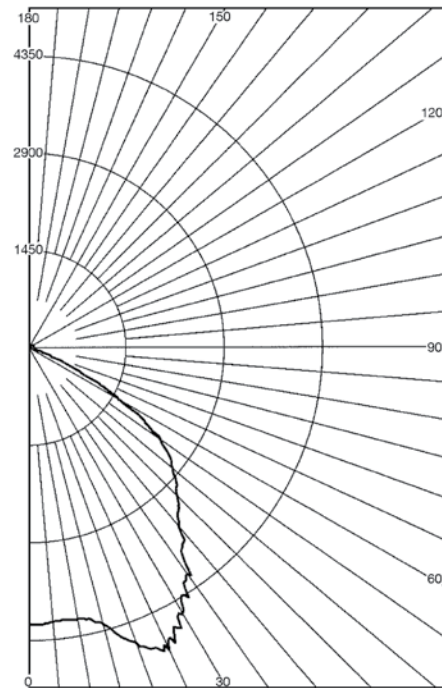
Floodlight Characteristics

IES Type	7H X 7V
Maximum Candlepower	3424. AT 22.5 H, 25.5 V
Horizontal Beam Angle (50%)	101.5 deg
Vertical Beam Angle (50%)	100.3 deg
Horizontal Field Angle (10%)	134.6 deg
Vertical Field Angle (10%)	134.2 deg
Beam Lumens (Efficiency)	6436. (79.7)
Field Lumens (Efficiency)	7949. (98.4)
Total Lumens (Efficiency)	8075. (100.0)

Axial Candlepower

Deg	Horizontal	Deg	Vertical
90.0	0.	90.0	0.
85.0	20.	85.0	1.
75.0	22.	75.0	3.
65.0	438.	65.0	444.
55.0	1479.	55.0	1460.
47.5	1889.	47.5	1828.
42.5	2146.	42.5	2121.
37.5	2539.	37.5	2515.
33.0	2807.	33.0	2928.
29.0	3043.	29.0	3121.
25.5	3163.	25.5	3186.
22.5	3063.	22.5	3080.
19.5	2968.	19.5	2936.
17.0	2807.	17.0	2758.
15.0	2795.	15.0	2731.
13.0	2771.	13.0	2706.
11.0	2732.	11.0	2704.
9.0	2714.	9.0	2711.
7.0	2721.	7.0	2722.
5.0	2728.	5.0	2731.
3.0	2736.	3.0	2730.
1.0	2729.	1.0	2731.
0.0	2730.	0.0	2730.

Plot(s) is/are single sweep(s) — Stray light is NOT accounted for. Lateral trace thru 90 deg Vertical.



LIGHTING: GENERAL LIGHTING – AREA – FLOODLIGHTS