

# Contender® Series Factory Sealed Front Operated Tumbler Switches

## Explosionproof, Dust-Ignitionproof

Malleable Iron Body and Cover†. Furnished with Internal Ground.

Class I, Division 1, Groups C, D  
Class I, Division 2, Group B\*, C, D  
Class II, Division 1 and 2, Groups E, F, G  
Class III  
NEMA 3, 7CD, 9EFG

### Applications

- Designed to prevent arcing of enclosed switches in ignitable atmospheres during connect and disconnect operation of lighting and light power loads.
- For use in classified areas where ignitable vapors, gases or highly combustible dusts are present.
- For installation in:
  - Chemical plants
  - Petrochemical plants
  - Refineries
  - Other process industries

### Features

- Enclosures have external mounting lugs for ease of mounting.
- Smooth, rounded integral bushing in each hub protects conductor insulation.
- Enclosures furnished with internal ground screw.
- 20 Amp and 30 Amp units available for use with 120-277 Vac.
- Smooth ground mating surfaces assure flame-tight joint between cover and mounting enclosure.
- Stainless steel hex head cap screws for attaching cover to mounting enclosure.
- Choice of front-operating or side rocker arm handle—each may be locked in ON or OFF position.
- Each handle has close-tolerance threaded stainless steel shaft to meet Explosionproof requirements.
- Enclosures furnished with internal ground screw.

### Options

- 1- or 2-gang copperfree (4/10 of 1% max.) aluminum bodies and covers available. Add suffix – **SA**.
- NPBRKT nameplate mounting bracket to make circuit description/identification easy.
  - Pre-drilled holes in bottom of bracket allow direct mounting to control stations with existing cover bolts.
  - Pre-drilled holes in middle of bracket allow mounting of customer's circuit identification nameplate; epoxy glue may also be used for mounting (phenolic nameplate not included).
  - Bracket eliminates costly field installation of drilling and tapping to accommodate circuit identification nameplate.
  - Brackets fit side-by-side on 2-, 3- and 4-gang boxes and 3-devices.

### Standard Materials

- Body and cover: malleable iron
- Handle: nylon 6/6
- Optional nameplate mounting bracket: corrosion resistant stainless steel

### Standard Finishes

- Tumbler switches: triple-coat—(1) zinc electroplate, (2) chromate, and (3) epoxy powder coat

### Certifications and Compliances

- UL Standards: UL 894, UL 1203
- UL Listed: E10523, E81751



Separate sealing chamber and switch construction. Used on 20 Amp 4-way and all 30 Amp models.



Explosionproof Labyrinth Switch  
Used on all 20 Amp models excluding 4-way.

Controls

CONTROLS: HAZARDOUS LOCATION CONTROL STATIONS AND SWITCHES

† Indicates items which are suitable for Class I, Division 2, Group B. See product selection pages for suitable items.

# Contender® Series Factory Sealed Front Operated Tumbler Switches





## Explosionproof, Dust-Ignitionproof

Malleable Iron Body and Cover†. Furnished with Internal Ground.

Class I, Division 1, Groups C, D  
 Class I, Division 2, Group B\*, C, D  
 Class II, Division 1 and 2, Groups E, F, G  
 Class III  
 NEMA 3, 7CD, 9EFG

Controls

CONTROLS: HAZARDOUS LOCATION CONTROL STATIONS AND SWITCHES

	Hub Size (Inches)	Switch	Dead-End	Catalog Number ❶	Feed-Thru
<b>1-Gang</b>					
<b>20 Amp — 120-277 Vac ❷</b>					
	1/2	1-Pole	EDS1129 ♦	EDSC1129 ♦	
	1/2	2-Pole	EDS118 ♦	EDSC118 ♦	
	1/2	3-Way	EDS1130 ♦	EDSC1130 ♦	
	1/2	4-Way	EDS1140	EDSC1140	
<b>Dead-End</b>	3/4	1-Pole	EDS2129 ♦	EDSC2129 ♦	
	3/4	2-Pole	EDS218 ♦	EDSC218 ♦	
	3/4	3-Way	EDS2130 ♦	EDSC2130 ♦	
	3/4	4-Way	EDS2140	EDSC2140	
	1	1-Pole	EDS3129 ♦	EDSC3129 ♦	
	1	2-Pole	EDS318 ♦	EDSC318 ♦	
	1	3-Way	EDS3130 ♦	EDSC3130 ♦	
	1	4-Way	EDS3140	EDSC3140	
<b>30 Amp — 120-277 Vac ❸</b>					
<b>Feed-Thru</b>	1	1-Pole	EDS3591	EDSC3591	
	1	2-Pole	EDS3593	EDSC3593	
	1	3-Way	EDS3594	EDSC3594	
<b>2-Gang</b>					
<b>20 Amp — 120-277 Vac ❹</b>					
	1/2	1-Pole	EDS1229 ♦	EDSC1229 ♦	
	1/2	2-Pole	EDS128 ♦	EDSC128 ♦	
	1/2	3-Way	EDS1230 ♦	EDSC1230 ♦	
	1/2	4-Way	EDS1240	EDSC1240	
<b>Dead-End</b>	3/4	1-Pole	EDS2229 ♦	EDSC2229 ♦	
	3/4	2-Pole	EDS228 ♦	EDSC228 ♦	
	3/4	3-Way	EDS2230 ♦	EDSC2230 ♦	
	3/4	4-Way	EDS2240	EDSC2240	
	1	1-Pole	EDS3229 ♦	EDSC3229 ♦	
	1	2-Pole	EDS328 ♦	EDSC328 ♦	
	1	3-Way	EDS3230 ♦	EDSC3230 ♦	
	1	4-Way	EDS3240	EDSC3240	
<b>Feed-Thru</b>					

❶ For Aluminum body and cover, add suffix —SA.

❷ 20 Amp Switches 1 HP at 120 Vac and 2 HP at 240 Vac.

❸ 30 Amp Switches 2 HP at 120 Vac or 240 Vac.

♦ Contains Factory Sealed Switch; no sealing chamber. Suitable for Class I, Division 2, Group B.


# Contender® Series Switch Covers and Sealing Chamber/Switch Assemblies

## Explosionproof, Dust-Ignitionproof


Malleable Iron Body and Cover. Furnished with Internal Ground Screw.

Class I, Division 1, Groups C, D  
 Class I, Division 2, Group B♦, C, D  
 Class II, Division 1 and 2, Groups E, F, G  
 Class III

### Factory Sealed Front Cover/Chamber/Switch Assembly

	Switch Type	Catalog Number ❶	
		20 Amp 120–277 Vac ❷	30 Amp 120–277 Vac ❸
	1-Pole	EDSF21Q ♦	EDSF31Q
	2-Pole	EDSF22Q ♦	EDSF32Q
	3-Way	EDSF23WQ ♦	EDSF33WQ
	4-Way	EDSF24WQ	—

### Cover/Switch Assembly

	Switch Type	Front Cover Only	Catalog Number	
			EFSFR Switch ❹	Factory Sealed LAB Switch
	1-Pole	EDSF12	EFSFR1Q	LAB21
	2-Pole	EDSF12	EFSFR2Q	LAB22
	3-Way	EDSF34W	EFSFR3WQ	LAB23W
	4-Way	EDSF34W	EFSFR4WQ	—

### Front Cover Only




EFSFR  
Switch



Factory  
Sealed Switch  
Only

### Nameplate Mounting Bracket

Mount bracket between cover screws and cover. Do not mount bracket between ground joint flame path between cover and backbox.

Description	Catalog Number
 <p>Bracket with blank silver/black nameplate for Contender series</p> <p>To order bracket with control station, add suffix <b>–NPBRKT</b> to end of catalog number.</p> <p>To order engraved nameplates, add desired markings after catalog number. Maximum of 2 lines with 12 characters (including spaces) per line.</p>	<b>NPBRKT-CONT</b>

- ❶ With sealing chamber.
- ❷ 20 Amp Switches 1 HP at 120 Vac and 2 HP at 240 Vac.
- ❸ 30 Amp Switches 2 HP at 120 Vac or 240 Vac.
- ❹ Requires the use of Code recognized sealing method as part of installation.
- ♦ Contains Factory Sealed Switch; no sealing chamber. Suitable for Class I, Division 2, Group B.




# EDS Mounting Bodies for Contender® Series Tumbler Switches

Furnished with Internal Ground Screw.

Class I, Division 1, Groups C, D  
 Class I, Division 2, Group B, C, D  
 Class II, Division 1 and 2, Groups E, F, G  
 Class III

Controls

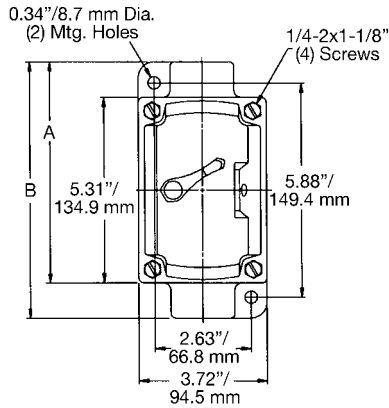
CONTROLS: HAZARDOUS LOCATION CONTROL STATIONS AND SWITCHES

	Type	Hub Size (Inches)	Catalog Number	
			Malleable Iron	Aluminum
<b>1-Gang</b>				
	Dead-End	1/2	EDS171	EDS171-SA
		3/4	EDS271	EDS271-SA
		1	EDS371	EDS371-SA
	Feed-Thru	1/2	EDSC171	EDSC171-SA
		3/4	EDSC271	EDSC271-SA
		1	EDSC371	EDSC371-SA
<b>2-Gang</b>				
	Dead-End	1/2	EDS172	EDS172-SA
		3/4	EDS272	EDS272-SA
		1	EDS372	EDS372-SA
	Feed-Thru	1/2	EDSC172	EDSC172-SA
		3/4	EDSC272	EDSC272-SA
		1	EDSC372	EDSC372-SA
<b>Tandem †</b>				
	Dead-End	1/2	EDS177	EDS177-SA
		3/4	EDS277	EDS277-SA
		1	EDS377	EDS377-SA
	Feed-Thru	1/2	EDSC177	EDSC177-SA
		3/4	EDSC277	EDSC277-SA
		1	EDSC377	EDSC377-SA

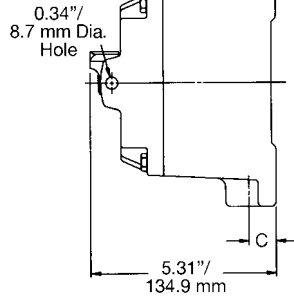
† For tandem bodies, external seals must be installed within 5 feet/1.5 meters of each conduit entrance for Class I, Groups C and D.

# Contender® Series Switch Dimensions

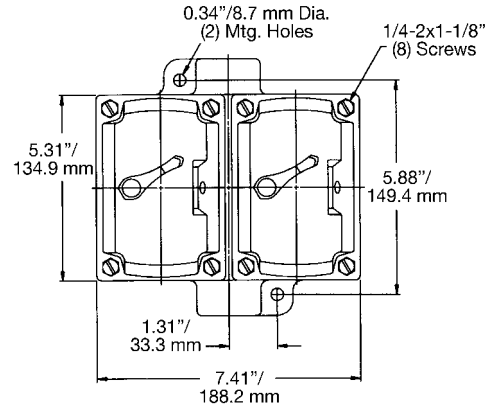
## Front Operated Tumbler Switches



Front — 1-Gang



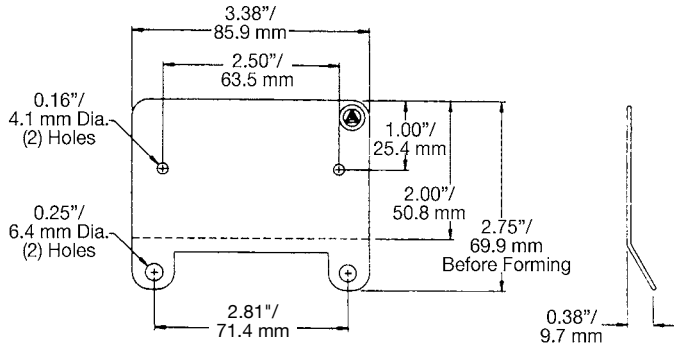
Side



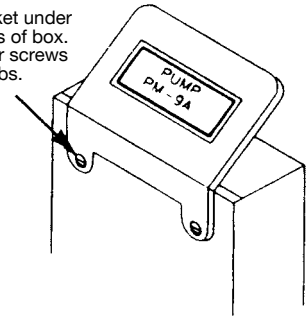
Front — 2-Gang

Hub Size (Inches)	Dimensions in Inches/Millimeters		
	A	B	C
1/2 and 3/4	6.06/153.9	6.81/173.0	0.75/19.1
1	6.17/156.7	7.03/178.6	1.00/25.4

## NPBRKT Nameplate Mounting Bracket



Secure bracket under cover screws of box. Torque cover screws to 35" - lbs.



Controls

CONTROLS: HAZARDOUS LOCATION CONTROL STATIONS AND SWITCHES