




U-Line® Factory Sealed 15 and 20 Amp Plugs and Receptacles

CSA Certification Only. Explosionproof, Dust-Ignitionproof



Dead-Front Safety Construction – Grounding through Extra Pole and Shell.

Class I, Division 1 and 2 Groups B, C, D
 Class II, Division 1 and 2 Group G and Coal Dust
 Class III
 CSA Type 7BCD, 9G

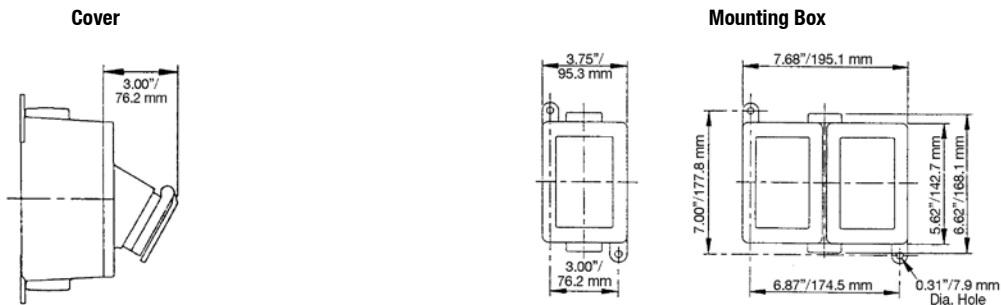
Receptacle and Cover Assembly

Description	Catalog Number	
	125 Vac, 1 HP 	250 Vac, 2 HP 
 20 Amp	ECSK-2023	ECSK-20232

Mounting Box – Complete with 1 Close-Up Plug

	Hub Size	Catalog Number
Single Gang		
	3/4"	ECS-175
	1"	ECS-110
Two Gang		
	3/4"	ECS-275
	1"	ECS-210

Dimensions



 CSA Certification only.