

All Copper Alloy Ground Connectors

Specification Grade

Type CG

Use:

- For cable connection either parallel or at right angle to pipe.
- A high strength corrosion-resistant copper alloy ground connector having a reversible contact plate which permits the ground wire to be connected either at right angles or parallel to a ground pipe.
- The fitting is designed so that the saddle can be installed before the ground connection is made.
- High strength silicon bronze hardware permits high clamping pressures to be applied.
- For ground pipe smaller than 2" use Type ABG shown on page MA6.
- Type CG connectors are suitable for direct burial.

Third Party Certification:



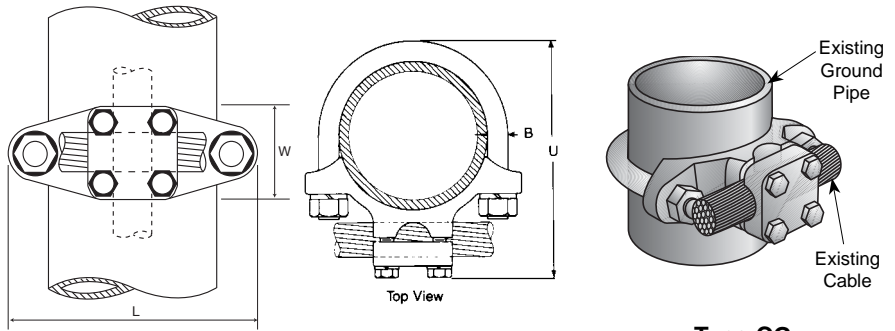
UL Listed: E-24264



CSA Certified: 015978

Applicable Third Party Standards:

- UL Standard: 467
- CSA Standard: C22.2 No. 41
- Fed. Spec: W-F-406E



Type CG

Catalog Number	Ground Pipe Size (Inches)	Conductor Range AWG/kcmil		Dimensions in Inches			
		Min.	Max.	L	W	U	B
CG-2004	2	8	4	3 ⁵ / ₈	7 ⁵ / ₈	3 ³ / ₄	3 ⁵ / ₈
CG-2022	2	4	2/0	3 ⁵ / ₈	1 ³ / ₁₆	4	3 ⁵ / ₈
CG-2025	2	2/0	250	3 ⁵ / ₈	1 ³ / ₁₆	4 ¹ / ₂	3 ⁵ / ₈
CG-2050	2	300	500	3 ⁵ / ₈	1 ³ / ₈	4 ¹ / ₂	7 ¹ / ₁₆
CG-2604	2 ¹ / ₂	8	4	4 ¹ / ₈	7 ⁵ / ₈	4 ¹ / ₄	3 ⁵ / ₈
CG-2622	2 ¹ / ₂	4	2/0	4 ¹ / ₈	1 ³ / ₁₆	4 ¹ / ₂	3 ⁵ / ₈
CG-2625	2 ¹ / ₂	2/0	250	4 ¹ / ₈	1 ³ / ₁₆	4 ¹ / ₄	3 ⁵ / ₈
CG-2650	2 ¹ / ₂	300	500	4 ¹ / ₈	1 ³ / ₈	5	7 ¹ / ₁₆
CG-3104	3	8	4	4 ³ / ₄	7 ⁵ / ₈	4 ¹³ / ₁₆	3 ⁵ / ₈
CG-3122	3	4	2/0	4 ³ / ₄	1 ³ / ₁₆	5 ¹ / ₂	3 ⁵ / ₈
CG-3125	3	2/0	250	4 ³ / ₄	1 ³ / ₁₆	5 ¹ / ₂	3 ⁵ / ₈
CG-3150	3	300	500	5 ¹ / ₄	1 ³ / ₈	5 ¹ / ₄	1 ¹ / ₂
CG-3175	3	550	750				
CG-3604	3 ¹ / ₂	8	4	5 ¹ / ₄	7 ⁵ / ₈	5 ¹ / ₄	3 ⁵ / ₈
CG-3622	3 ¹ / ₂	4	2/0	5 ¹ / ₄	1 ³ / ₁₆	5 ¹ / ₂	3 ⁵ / ₈
CG-3625	3 ¹ / ₂	2/0	250	5 ¹ / ₄	1 ³ / ₁₆	5 ¹ / ₂	3 ⁵ / ₈
CG-3650	3 ¹ / ₂	300	500	5 ¹ / ₄	1 ³ / ₈	6 ¹ / ₂	1 ¹ / ₂
CG-3675	3 ¹ / ₂	550	750				
CG-4104	4	8	4	5 ³ / ₄	7 ⁵ / ₈	5 ³ / ₄	3 ⁵ / ₈
CG-4122	4	4	2/0	5 ³ / ₄	1 ³ / ₁₆	6 ¹ / ₂	3 ⁵ / ₈
CG-4125	4	2/0	250	5 ³ / ₄	1 ³ / ₁₆	6 ¹ / ₂	3 ⁵ / ₈
CG-4150	4	300	500	6 ¹ / ₄	1 ³ / ₈	6 ¹ / ₂	1 ¹ / ₂
CG-4175	4	550	750				
CG-4622	4 ¹ / ₂	4	2/0	6 ¹ / ₄	1 ³ / ₁₆	6 ¹ / ₂	3 ⁵ / ₈
CG-4625	4 ¹ / ₂	2/0	250	6 ¹ / ₄	1 ³ / ₁₆	6 ¹ / ₂	3 ⁵ / ₈
CG-4650	4 ¹ / ₂	300	500	6 ³ / ₈	1 ³ / ₈	7 ¹ / ₄	1 ¹ / ₂
CG-5122	5	4	2/0	6 ³ / ₈	1 ³ / ₁₆	7 ¹ / ₂	3 ⁵ / ₈
CG-5125	5	2/0	250	6 ³ / ₈	1 ³ / ₁₆	7 ¹ / ₂	3 ⁵ / ₈
CG-5150	5	300	500	7 ¹ / ₄	1 ³ / ₈	7 ³ / ₄	1 ¹ / ₂
CG-5175	5	550	750				
CG-6122	6	4	2/0	8	1 ³ / ₁₆	8 ¹ / ₄	3 ⁵ / ₈
CG-6125	6	2/0	250	8	1 ³ / ₁₆	8 ¹ / ₂	3 ⁵ / ₈
CG-6150	6	300	500	8 ³ / ₈	1 ³ / ₈	8 ³ / ₈	1 ¹ / ₂
CG-6175	6	550	750	8 ³ / ₈	2 ³ / ₈	9 ¹ / ₂	1 ¹ / ₂
CG-6192	6	800	1000	8 ³ / ₈	2 ³ / ₈	9 ¹ / ₂	1 ¹ / ₂
CG-8125	8	2/0	250	10	1 ³ / ₁₆	10 ¹ / ₂	3 ⁵ / ₈
CG-8150	8	300	500	10 ³ / ₈	1 ³ / ₈	10 ³ / ₈	1 ¹ / ₂
CG-8175	8	550	750				
CG-8192	8	800	1000				