

Big-Bend™ Cast Pulling Elbow

CSA Certification Only.

Conduit Systems Installations. For use with Threaded Rigid Metal Conduit and IMC.

Fittings

FITTINGS: CONDUIT BODIES

Application

- Big-Bend™ Pulling Elbow is installed in conduit systems to provide 90° bends in conduit runs, pull outlets for conductors, access to conductors for maintenance and openings for making splices.

Features

- Plugged 1/2" outlets top and bottom for breather and drain.
- Conductors can be pulled straight through.
- Cover easily installed.

Standard Materials

- Bodies and covers: copperfree (4/10 of 1% max.) aluminum
- Gaskets: composition
- Cover bolts: stainless steel

Standard Finishes

- Acrylic paint

Certifications and Compliances

- CSA Standard: C22.2 No. 40
- CSA Certified: 043654



Conduit Systems Installations

 CSA Certification Only.

Big-Bend™ Cast Pulling Elbow

CSA Certification Only.

Conduit Systems Installations. For use with Threaded Rigid Metal Conduit and IMC.

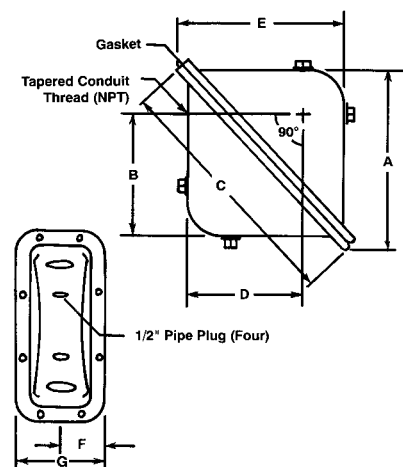
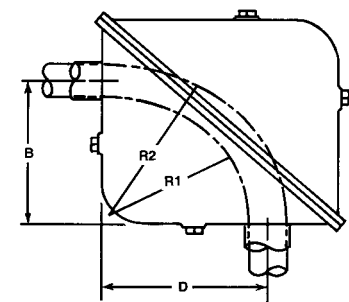
Bending Radius of Big-Bend Pulling Elbow

Catalog Number	Conduit Size (Inches)	Inches/Millimeters		Code
		R1	R2	
BB1-050	1/2	8.19/208.0	8.81/223.8	050
BB1-075	3/4	8.06/204.7	8.88/225.6	075
BB1-100	1	7.88/200.2	8.94/227.1	100
BB1-125	1-1/4	7.81/198.4	9.25/235.0	125
BB1-150	1-1/2	7.69/195.3	9.31/236.5	150
BB1-200	2	7.44/189.0	9.50/241.3	200
BB1-250	2-1/2	7.25/184.2	9.69/246.1	250
BB1-300	3	6.88/174.8	9.94/252.5	300
BB1-350	3-1/2	6.69/169.9	10.25/260.4	350
BB1-400	4	6.44/163.6	10.50/266.7	400
BB2-075	3/4	12.94/328.7	13.75/349.3	075
BB2-100	1	12.75/323.9	13.81/350.8	100
BB2-125	1-1/4	12.69/322.3	14.13/358.9	125
BB2-150	1-1/2	12.56/319.0	14.19/360.4	150
BB2-200	2	12.31/312.7	14.38/365.3	200
BB2-250	2-1/2	12.13/308.1	14.56/369.8	250
BB2-300	3	11.75/298.5	14.81/376.2	300
BB2-350	3-1/2	11.56/293.6	15.13/384.3	350
BB2-400	4	11.31/287.3	15.38/390.7	400
BB3-050	1/2	13.06/331.7	13.69/347.7	050
BB3-075	3/4	12.94/328.7	13.75/349.3	075
BB3-100	1	12.75/323.9	13.81/350.8	100
BB3-125	1-1/4	12.69/322.3	14.13/358.9	125
BB3-150	1-1/2	12.56/319.0	14.19/360.4	150
BB3-200	2	12.31/312.7	14.38/365.3	200
BB3-250	2-1/2	12.13/308.1	14.56/369.8	250
BB3-300	3	11.75/298.5	14.81/376.2	300
BB3-350	3-1/2	11.56/293.6	15.13/384.3	350
BB3-400	4	11.31/287.3	15.38/390.7	400
BB3-500	5	10.81/274.6	15.81/401.6	500
BB3-600	6	10.31/261.9	16.38/416.1	600

Dimensions

Size	BB1	BB2	BB3
Inside Dimensions	12x12x6	18x18x6	18x18x8
Approx. Shipping Wt/Unit	18 lbs./8.2 kgs.	32 lbs./14.5 kgs.	48 lbs./21.8 kgs.
	Inches/Millimeters		
	BB1	BB2	BB3
A	12.75/323.9	19.88/505.0	19.88/505.0
B	9.00/228.6	14.00/355.6	14.00/355.6
C	18.75/476.3	27.25/692.2	27.50/698.5
D	9.00/228.6	14.00/355.6	14.00/355.6
E	12.75/323.9	19.88/505.0	19.88/505.0
F	3.88/98.6	3.88/98.6	5.00/127.0
G	7.75/196.9	7.75/196.9	10.00/254.0

CSA Certification Only.



Fittings

FITTINGS: CONDUIT BODIES